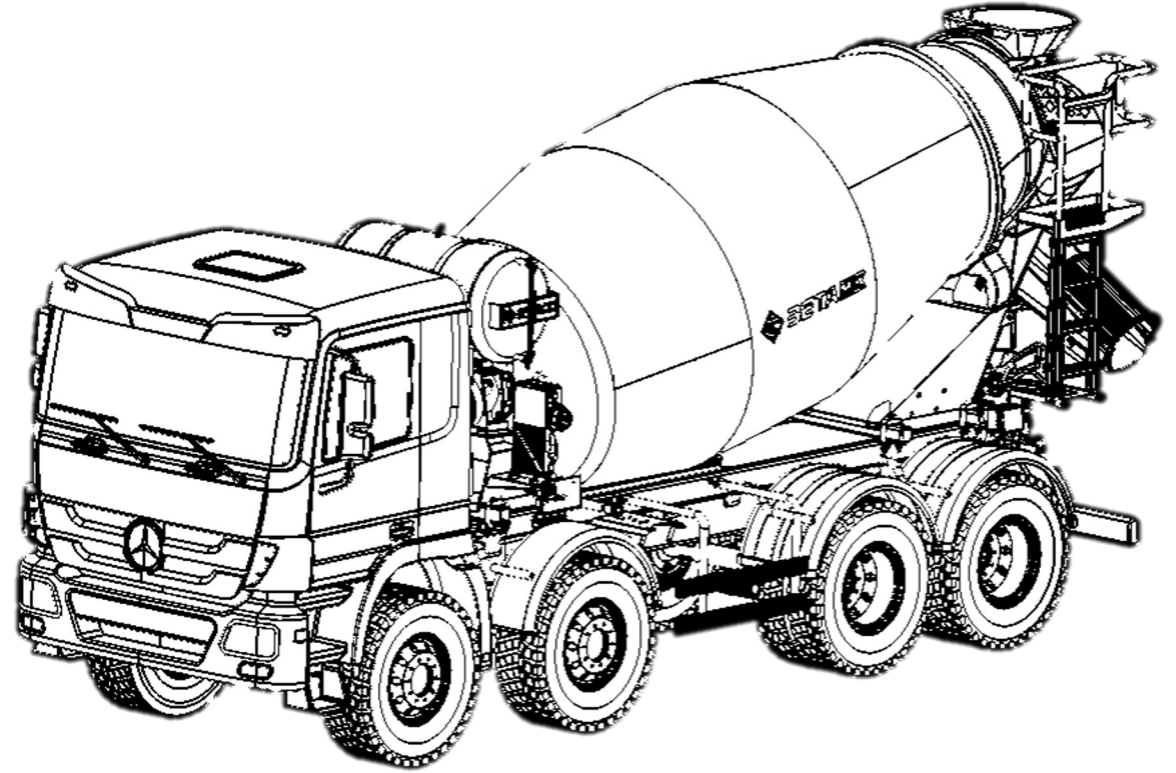




YEDEK PARÇA KATALOĐU  
SPARE PARTS CATALOGUE



Transmikser .....3 Truck Mixer	Motor Koruma .....69 Motor Bar
Kazanlar.....5-14 Drums	Şasi.....71 Chassis
Su Sistemi.....15-32 Water Works	Merdiven.....73 Ladder
Oluk Grubu.....33-45 Chutes	Kontrol Kutusu.....75 Control Panel
Ekolojik Kapak.....46 Ecological Cover	Gaz Kumanda Sistemi.....77 Single Lever Control
Krikolar.....48-51 Jacks	Kontrol Kabloları.....79 Control Cables
Konsol Grubu.....52-60 Supports/Consoles	Çamurluk Grubu.....81-86 Mudguard Group
Mekanizmalar.....61-64 Mechanisms	Hidrolik Ekipmanlar .....87-98 Hydraulic Equipments
Tampon Bari.....65 Bumper Bar	Şaftlar .....99 Cardan Shafts
Bisiklet Koruma .....67 Bicycle Bar	Hidrolik Ekipman Hortum Setleri.....101 Hydraulic Equipment Hose Sets
	Aksesuarlar.....103 Accessories

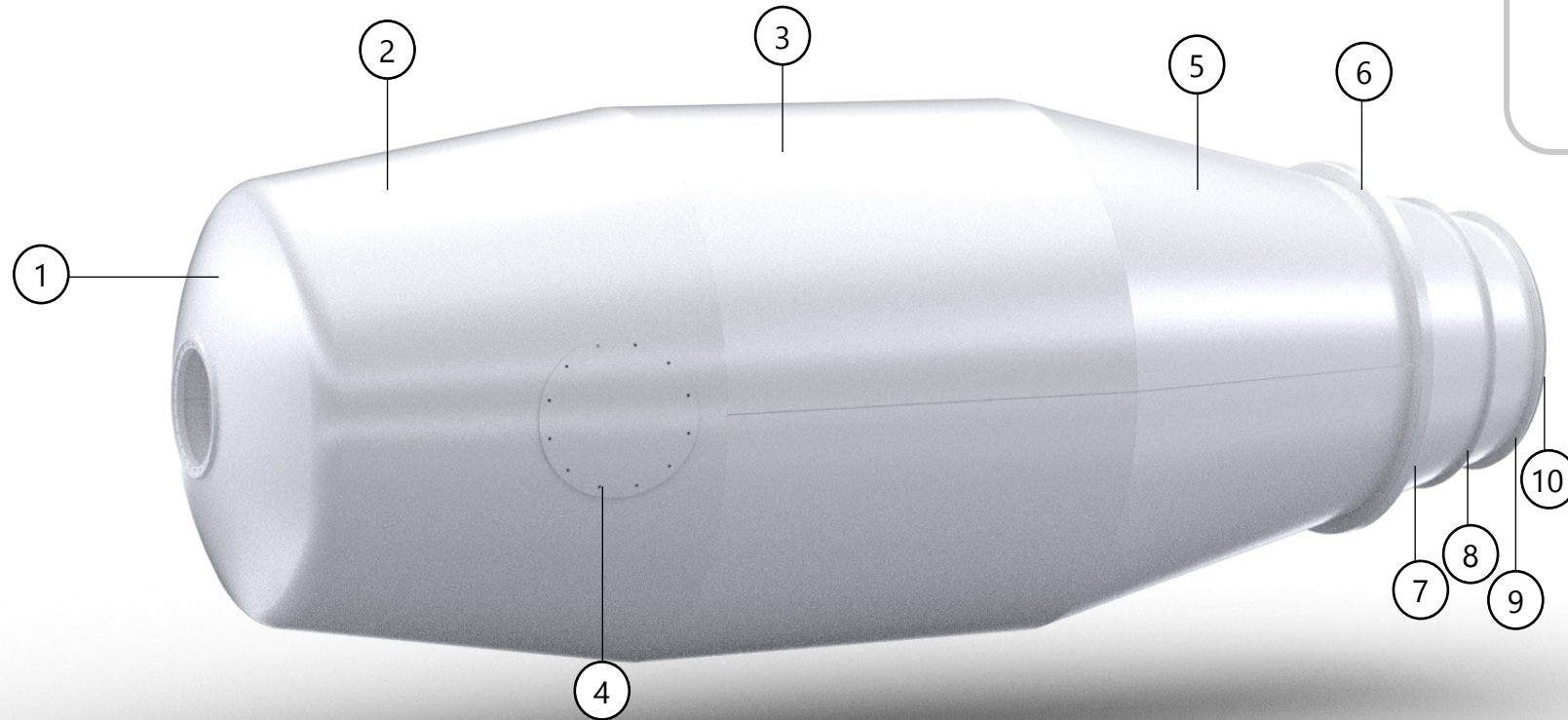


# ÜRÜN AÇIKLAMASI EXPLANATION



#	TR AÇIKLAMA	EN EXPLANATION
1	Kazan	Drum
2	Basınçlı Su Tankı	Pressurized Water Tank
3	Redüktör	Gearbox
4	Hidrolik Motor	Hydraulic Motor
5	Hidrolik Pompa Konsolu	Hydraulic Pump Support
6	Şasi	Chassis
7	Çamurluk	Mudguard
8	Hidrolik Pompa	Hydraulic Pump
9	Basınçlı Su Tankı İçin Pnömatik Sistem	Pneumatic System For Pressured Water Tank
10	Yağ Soğutucu	Oil Cooler
11	Ön Konsol	Front Support
12	Bisiklet Koruma	Bicycle Bar
13	İlave Oluk	Extension Chute
14	Katkı Tankı	Additive Tank
15	Arka Konsol	Rear Support

#	TR AÇIKLAMA	EN EXPLANATION
16	Gaz Kumanda Sistemi	Single Lever Control
17	Kontrol Kutusu	Control Box
18	Su Tesisatı	Water Installation
29	Merdiven	Ladder
20	Döner Oluk Mekanizması	Discharge Mechanism
21	Boşaltma Oluğu	Discharge Chute
22	Katlanır Oluk	Folding Chute
23	Makara Mekanizması	Roller Mechanism
24	V Oluk	V Chute
25	Merdiven Üst Muhafazası	Ladder Upper Frame
26	Doldurma Oluğu	Feeding Chute
27	Ağız Halkası	Belt Ring
28	Anti Damlama Halkası	Anti-Dripping Ring
29	Şerbetlik	Metal Strip
30	Ring	Ring



**BETAMIX PRO  
DRUM**

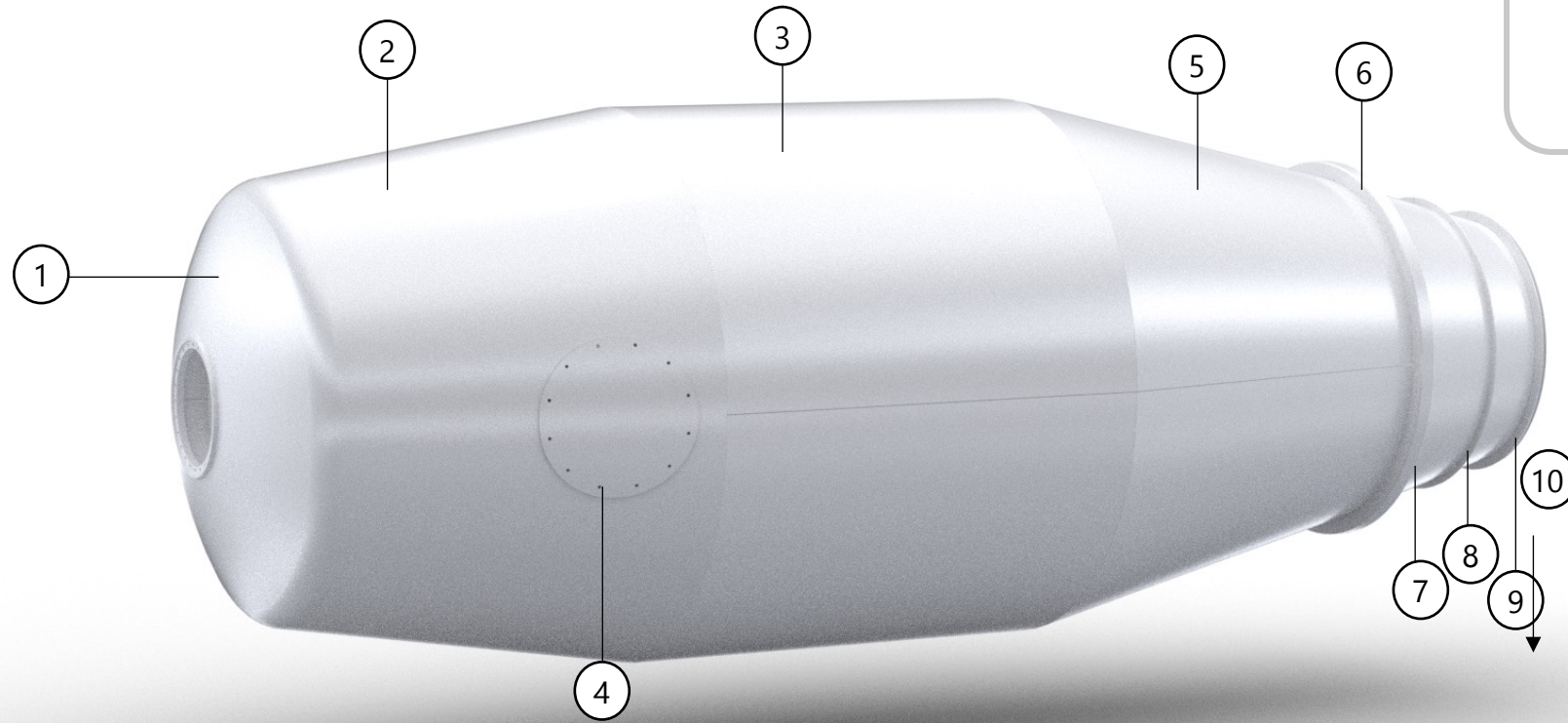
**STEEL QUALITY  
S500-MC**

## ÜRÜN AÇIKLAMASI EXPLANATION



TR	1	2	3	4	5	6	7	8	9	10	
ÜRÜN KODU	AÇIKLAMA	Bombe	Bombe Koni	Silindir	Adam Kapağı	Ring Koni	Ring	Yük Boşaltma Koni	Şerbetlik Çemberi	Anti Damlama Halkası	Ağız Halkası
301100001	B3 4 m <sup>3</sup> S500-MC Kazan	200200001	200135003	200135002	200102016	200135001	100190001	200100001	200101031	200101034	200119027
301100006	B3 5 m <sup>3</sup> S500-MC Kazan	200200001	200135006	200135005	200102016	200135004	100190001	200100001	200101031	200101034	200119027
301100011	B3 6 m <sup>3</sup> S500-MC Kazan	200200001	200135006	200135007	200102016	200135004	100190001	200100001	200101031	200101034	200119027
300100044	B3 7 m <sup>3</sup> S500-MC Kazan	200200006	200135010	200135009	200102016	200135008	100190001	200100001	200101031	200101034	200119027
300100042	B3 8 m <sup>3</sup> S500-MC Kazan	200200006	200135010	200135011	200102016	200135008	100190001	200100001	200101031	200101034	200119027
300100040	B3 9 m <sup>3</sup> S500-MC Kazan	200200006	200135010	200135012	200102016	200135008	100190001	200100001	200101031	200101034	200119027
300100038	B3 10 m <sup>3</sup> S500-MC Kazan	200200006	200135014	200135013	200102016	200135008	100190001	200100001	200101031	200101034	200119027
300100036	B3 12 m <sup>3</sup> S500-MC Kazan	200200006	200135016	200135015	200102016	200135008	100190002	200100001	200101031	200101034	200119027
300100034	B3 14 m <sup>3</sup> S500-MC Kazan	200200006	200135018	200135015	200102016	200135017	100190002	200100001	200101031	200101034	200119027
300100048	B3 15 m <sup>3</sup> S500-MC Kazan	200200006	200135021	200135020	200102016	200135019	100190002	200100001	200101031	200101034	200119027

EN	1	2	3	4	5	6	7	8	9	10	
CODE	EXPLANATION	Camber	Camber Cone	Cylindrical Ring	Man Hole	Ring Cone	Ring	Discharge Cone	Metal Strip	Anti-Dripping Ring	Belt Ring
301100001	B3 4 m <sup>3</sup> S500-MC Drum	200200001	200135003	200135002	200102016	200135001	100190001	200100001	200101031	200101034	200119027
301100006	B3 5 m <sup>3</sup> S500-MC Drum	200200001	200135006	200135005	200102016	200135004	100190001	200100001	200101031	200101034	200119027
301100011	B3 6 m <sup>3</sup> S500-MC Drum	200200001	200135006	200135007	200102016	200135004	100190001	200100001	200101031	200101034	200119027
300100044	B3 7 m <sup>3</sup> S500-MC Drum	200200006	200135010	200135009	200102016	200135008	100190001	200100001	200101031	200101034	200119027
300100042	B3 8 m <sup>3</sup> S500-MC Drum	200200006	200135010	200135011	200102016	200135008	100190001	200100001	200101031	200101034	200119027
300100040	B3 9 m <sup>3</sup> S500-MC Drum	200200006	200135010	200135012	200102016	200135008	100190001	200100001	200101031	200101034	200119027
300100038	B3 10 m <sup>3</sup> S500-MC Drum	200200006	200135014	200135013	200102016	200135008	100190001	200100001	200101031	200101034	200119027
300100036	B3 12 m <sup>3</sup> S500-MC Drum	200200006	200135016	200135015	200102016	200135008	100190002	200100001	200101031	200101034	200119027
300100034	B3 14 m <sup>3</sup> S500-MC Drum	200200006	200135018	200135015	200102016	200135017	100190002	200100001	200101031	200101034	200119027
300100048	B3 15 m <sup>3</sup> S500-MC Drum	200200006	200135021	200135020	200102016	200135019	100190002	200100001	200101031	200101034	200119027



BETAMIX ECO  
DRUM

STEEL QUALITY  
S355J2+N

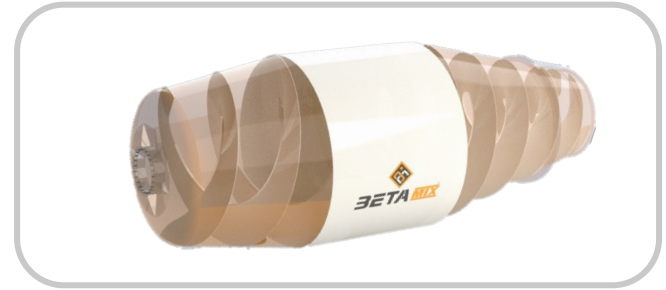
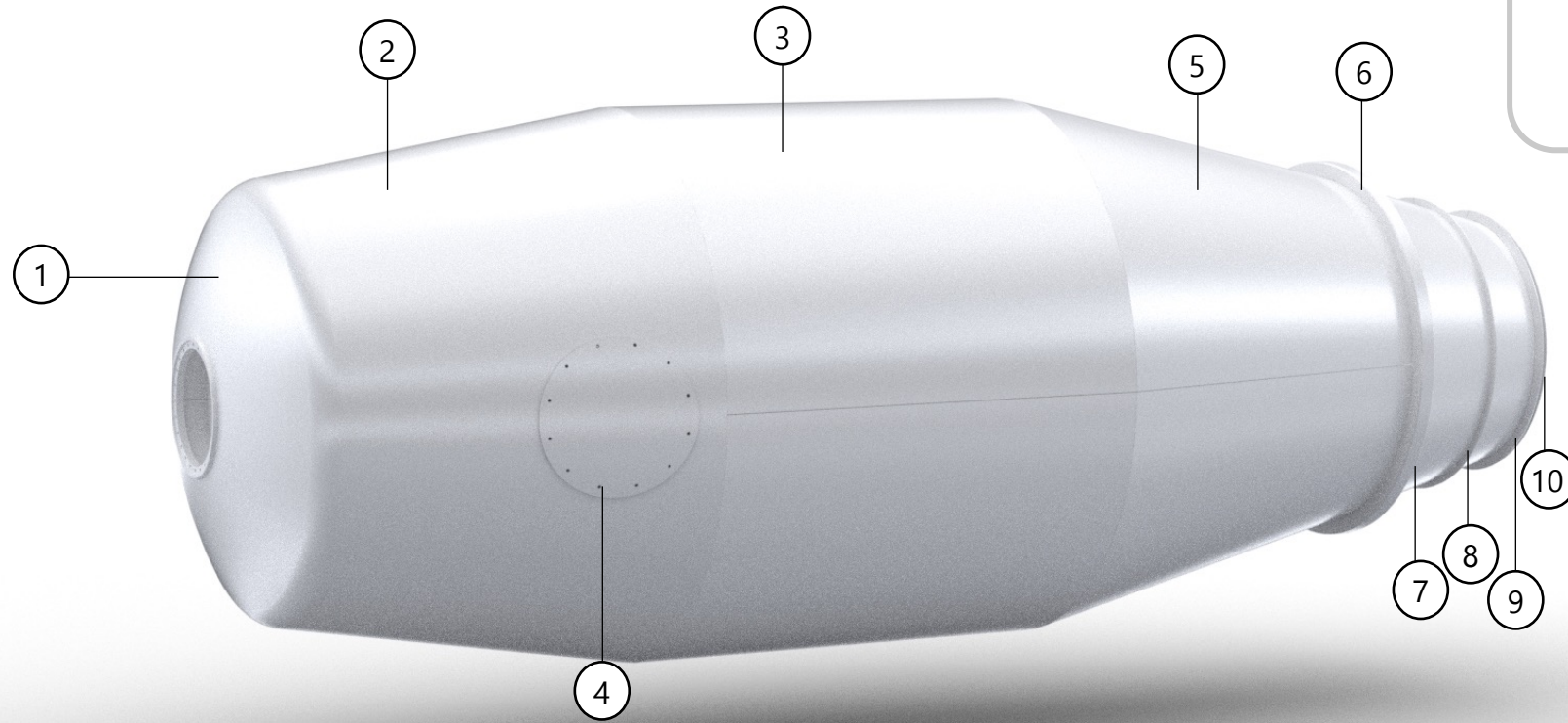
## ÜRÜN AÇIKLAMASI EXPLANATION



TR	1	2	3	4	5	6	7	8	9	10	
ÜRÜN KODU	AÇIKLAMA	Bombe	Bombe Koni	Silindir	Adam Kapağı	Ring Koni	Ring	Yük Boşaltma Koni	Şerbetlik Çemberi	Anti Damlama Halkası	Ağız Halkası
301100001	B3 4 m <sup>3</sup> S355J2+N Kazan	200200001	200135024	200135023	200102016	200135022	100190001	200100001	200101031	200101034	200119027
301100006	B3 5 m <sup>3</sup> S355J2+N Kazan	200200001	200135026	200135025	200102016	200100002	100190001	200100001	200101031	200101034	200119027
301100011	B3 6 m <sup>3</sup> S355J2+N Kazan	200200001	200135026	200135027	200102016	200100002	100190001	200100001	200101031	200101034	200119027
300100044	B3 7 m <sup>3</sup> S355J2+N Kazan	200200006	200135030	200135029	200102016	200135028	100190001	200100001	200101031	200101034	200119027
300100042	B3 8 m <sup>3</sup> S355J2+N Kazan	200200006	200135030	200135031	200102016	200135028	100190001	200100001	200101031	200101034	200119027
300100040	B3 9 m <sup>3</sup> S355J2+N Kazan	200200006	200135030	200135032	200102016	200135028	100190001	200100001	200101031	200101034	200119027
300100038	B3 10 m <sup>3</sup> S355J2+N Kazan	200200006	200135034	200135033	200102016	200135028	100190001	200100001	200101031	200101034	200119027
300100036	B3 12 m <sup>3</sup> S355J2+N Kazan	200200006	200135036	200135035	200102016	200135028	100190002	200100001	200101031	200101034	200119027
300100034	B3 14 m <sup>3</sup> S355J2+N Kazan	200200006	200135038	200135035	200102016	200135037	100190002	200100001	200101031	200101034	200119027
300100048	B3 15 m <sup>3</sup> S355J2+N Kazan	200200006	200135041	200135040	200102016	200135039	100190002	200100001	200101031	200101034	200119027

EN	1	2	3	4	5	6	7	8	9	10	
CODE	EXPLANATION	Camber	Camber Cone	Cylindrical Ring	Man Hole	Ring Cone	Ring	Discharge Cone	Metal Strip	Anti-Dripping Ring	Belt Ring
301100001	B3 4 m <sup>3</sup> S355J2+N Drum	200200001	200135024	200135023	200102016	200135022	100190001	200100001	200101031	200101034	200119027
301100006	B3 5 m <sup>3</sup> S355J2+N Drum	200200001	200135026	200135025	200102016	200100002	100190001	200100001	200101031	200101034	200119027
301100011	B3 6 m <sup>3</sup> S355J2+N Drum	200200001	200135026	200135027	200102016	200100002	100190001	200100001	200101031	200101034	200119027
300100044	B3 7 m <sup>3</sup> S355J2+N Drum	200200006	200135030	200135029	200102016	200135028	100190001	200100001	200101031	200101034	200119027
300100042	B3 8 m <sup>3</sup> S355J2+N Drum	200200006	200135030	200135031	200102016	200135028	100190001	200100001	200101031	200101034	200119027
300100040	B3 9 m <sup>3</sup> S355J2+N Drum	200200006	200135030	200135032	200102016	200135028	100190001	200100001	200101031	200101034	200119027
300100038	B3 10 m <sup>3</sup> S355J2+N Drum	200200006	200135034	200135033	200102016	200135028	100190001	200100001	200101031	200101034	200119027
300100036	B3 12 m <sup>3</sup> S355J2+N Drum	200200006	200135036	200135035	200102016	200135028	100190002	200100001	200101031	200101034	200119027
300100034	B3 14 m <sup>3</sup> S355J2+N Drum	200200006	200135038	200135035	200102016	200135037	100190002	200100001	200101031	200101034	200119027
300100048	B3 15 m <sup>3</sup> S355J2+N Drum	200200006	200135041	200135040	200102016	200135039	100190002	200100001	200101031	200101034	200119027





BETAMIX LIGHT  
DRUM

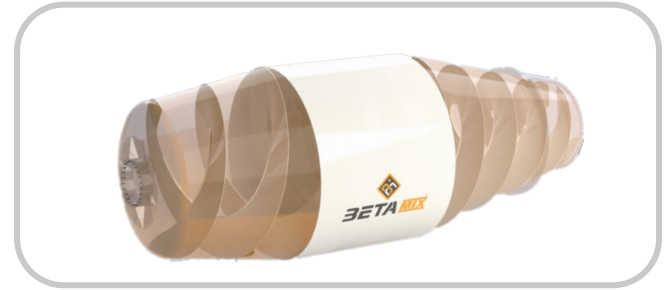
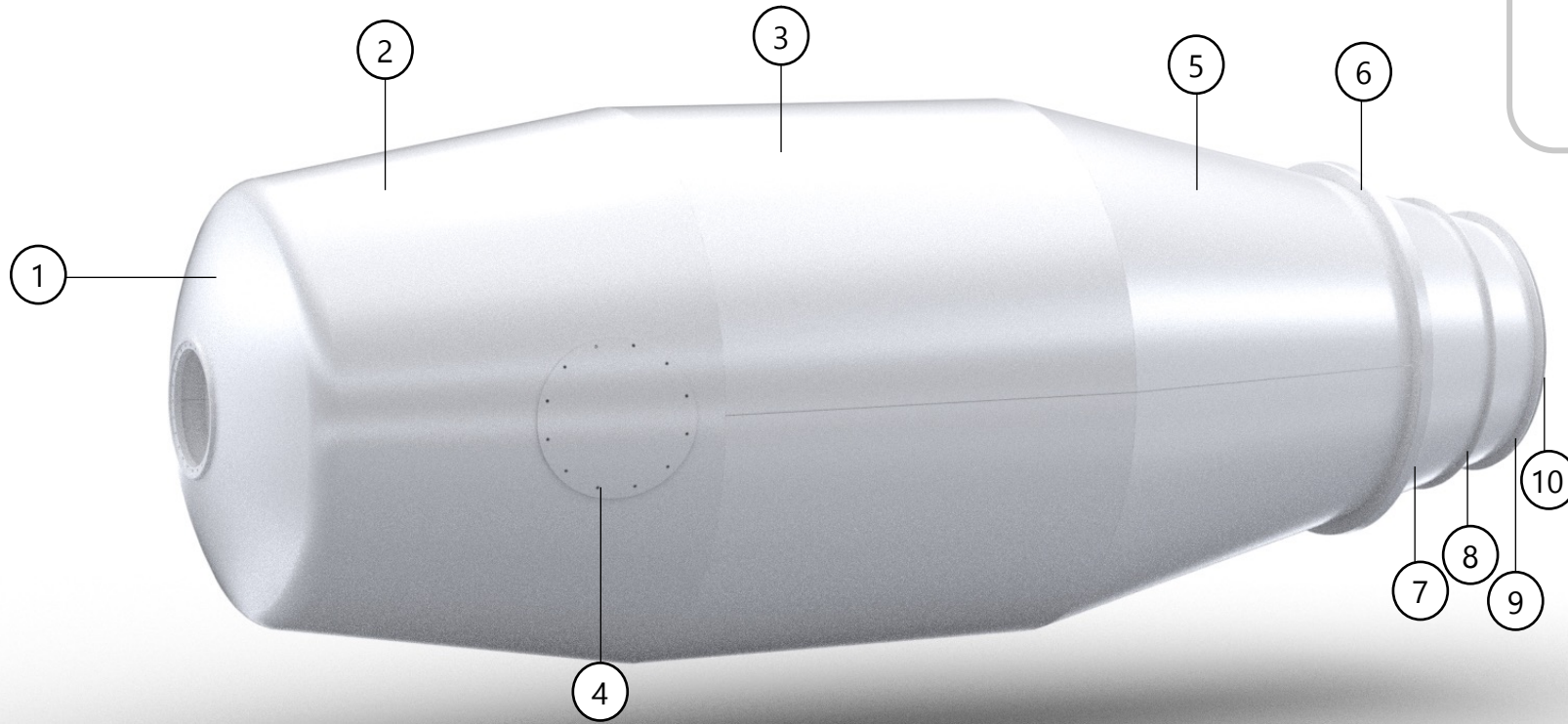
STEEL QUALITY  
HB450-3MM

## ÜRÜN AÇIKLAMASI EXPLANATION



ÜRÜN KODU	AÇIKLAMA	Bombe	Bombe Koni	Silindir	Adam Kapağı	Ring Koni	Ring	Yük Boşaltma Koni	Şerbetlik Çemberi	Anti Damlama Halkası	Ağız Halkası
301100001	B3 4 m <sup>3</sup> 3mm HB450 Kazan	200200001	200135045	200135044	200102016	200135043	100190001	200135042	200101031	200101034	200119027
301100006	B3 5 m <sup>3</sup> 3mm HB450 Kazan	200200001	200135048	200135047	200102016	200135046	100190001	200135042	200101031	200101034	200119027
301100011	B3 6 m <sup>3</sup> 3mm HB450 Kazan	200200001	200135048	200135049	200102016	200135046	100190001	200135042	200101031	200101034	200119027
300100044	B3 7 m <sup>3</sup> 3mm HB450 Kazan	200200006	200135052	200135051	200102016	200135050	100190001	200135042	200101031	200101034	200119027
300100042	B3 8 m <sup>3</sup> 3mm HB450 Kazan	200200006	200135052	200135053	200102016	200135050	100190001	200135042	200101031	200101034	200119027
300100040	B3 9 m <sup>3</sup> 3mm HB450 Kazan	200200006	200135052	200135054	200102016	200135050	100190001	200135042	200101031	200101034	200119027
300100038	B3 10 m <sup>3</sup> 3mm HB450 Kazan	200200006	200135056	200135055	200102016	200135050	100190001	200135042	200101031	200101034	200119027
300100036	B3 12 m <sup>3</sup> 3mm HB450 Kazan	200200006	200135058	200135057	200102016	200135050	100190002	200135042	200101031	200101034	200119027
300100034	B3 14 m <sup>3</sup> 3mm HB450 Kazan	200200006	200135060	200135057	200102016	200135059	100190002	200135042	200101031	200101034	200119027
300100048	B3 15 m <sup>3</sup> 3mm HB450 Kazan	200200006	200135063	200135062	200102016	200135061	100190002	200135042	200101031	200101034	200119027

CODE	EXPLANATION	Camber	Camber Cone	Cylindrical Ring	Man Hole	Ring Cone	Ring	Discharge Cone	Metal Strip	Anti-Dripping Ring	Belt Ring
301100001	B3 4 m <sup>3</sup> 3mm HB450 Drum	200200001	200135045	200135044	200102016	200135043	100190001	200135042	200101031	200101034	200119027
301100006	B3 5 m <sup>3</sup> 3mm HB450 Drum	200200001	200135048	200135047	200102016	200135046	100190001	200135042	200101031	200101034	200119027
301100011	B3 6 m <sup>3</sup> 3mm HB450 Drum	200200001	200135048	200135049	200102016	200135046	100190001	200135042	200101031	200101034	200119027
300100044	B3 7 m <sup>3</sup> 3mm HB450 Drum	200200006	200135052	200135051	200102016	200135050	100190001	200135042	200101031	200101034	200119027
300100042	B3 8 m <sup>3</sup> 3mm HB450 Drum	200200006	200135052	200135053	200102016	200135050	100190001	200135042	200101031	200101034	200119027
300100040	B3 9 m <sup>3</sup> 3mm HB450 Drum	200200006	200135052	200135054	200102016	200135050	100190001	200135042	200101031	200101034	200119027
300100038	B3 10 m <sup>3</sup> 3mm HB450 Drum	200200006	200135056	200135055	200102016	200135050	100190001	200135042	200101031	200101034	200119027
300100036	B3 12 m <sup>3</sup> 3mm HB450 Drum	200200006	200135058	200135057	200102016	200135050	100190002	200135042	200101031	200101034	200119027
300100034	B3 14 m <sup>3</sup> 3mm HB450 Drum	200200006	200135060	200135057	200102016	200135059	100190002	200135042	200101031	200101034	200119027
300100048	B3 15 m <sup>3</sup> 3mm HB450 Drum	200200006	200135063	200135062	200102016	200135061	100190002	200135042	200101031	200101034	200119027



BETAMIX HARD  
DRUM

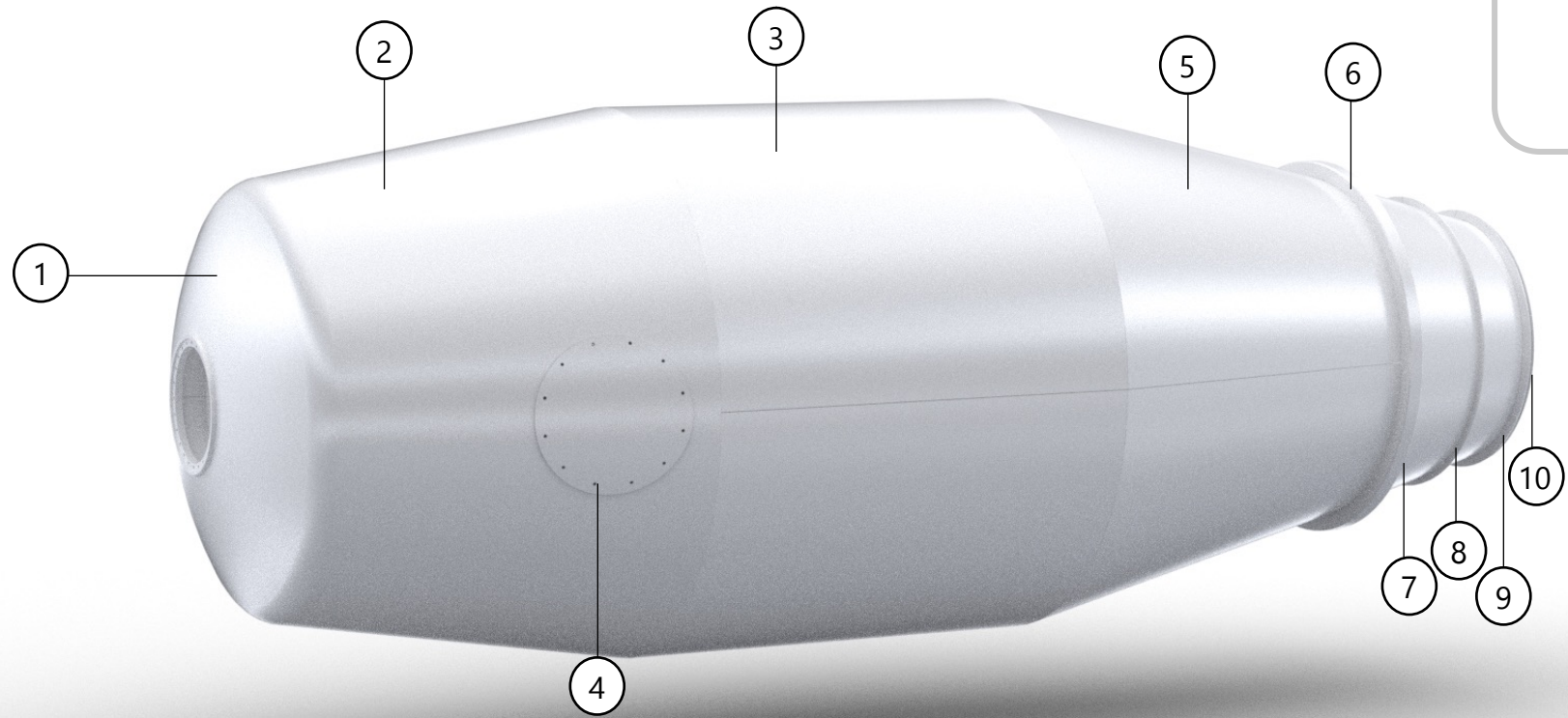
STEEL QUALITY  
HB450-4MM

## ÜRÜN AÇIKLAMASI EXPLANATION



ÜRÜN KODU	AÇIKLAMA	1	2	3	4	5	6	7	8	9	10
TR		Bombe	Bombe Koni	Silindir	Adam Kapağı	Ring Koni	Ring	Yük Boşaltma Koni	Şerbetlik Çemberi	Anti Damlama Halkası	Ağız Halkası
301100001	B3 4 m <sup>3</sup> 4mm HB450 Kazan	200200001	200135067	200135066	200102016	200135065	100190001	200135064	200101031	200101034	200119027
301100006	B3 5 m <sup>3</sup> 4mm HB450 Kazan	200200001	200135070	200135069	200102016	200135068	100190001	200135064	200101031	200101034	200119027
301100011	B3 6 m <sup>3</sup> 4mm HB450 Kazan	200200001	200135070	200135071	200102016	200135068	100190001	200135064	200101031	200101034	200119027
300100044	B3 7 m <sup>3</sup> 4mm HB450 Kazan	200200006	200135074	200135073	200102016	200135072	100190001	200135064	200101031	200101034	200119027
300100042	B3 8 m <sup>3</sup> 4mm HB450 Kazan	200200006	200135074	200135075	200102016	200135072	100190001	200135064	200101031	200101034	200119027
300100040	B3 9 m <sup>3</sup> 4mm HB450 Kazan	200200006	200135074	200135076	200102016	200135072	100190001	200135064	200101031	200101034	200119027
300100038	B3 10 m <sup>3</sup> 4mm HB450 Kazan	200200006	200135078	200135077	200102016	200135072	100190001	200135064	200101031	200101034	200119027
300100036	B3 12 m <sup>3</sup> 4mm HB450 Kazan	200200006	200135080	200135079	200102016	200135072	100190002	200135064	200101031	200101034	200119027
300100034	B3 14 m <sup>3</sup> 4mm HB450 Kazan	200200006	200135082	200135079	200102016	200135081	100190002	200135064	200101031	200101034	200119027
300100048	B3 15 m <sup>3</sup> 4mm HB450 Kazan	200200006	200135085	200135084	200102016	200135083	100190002	200135064	200101031	200101034	200119027

CODE	EXPLANATION	1	2	3	4	5	6	7	8	9	10
EN		Camber	Camber Cone	Cylindrical Ring	Man Hole	Ring Cone	Ring	Discharge Cone	Metal Strip	Anti-Dripping Ring	Belt Ring
301100001	B3 4 m <sup>3</sup> 4mm HB450 Drum	200200001	200135067	200135066	200102016	200135065	100190001	200135064	200101031	200101034	200119027
301100006	B3 5 m <sup>3</sup> 4mm HB450 Drum	200200001	200135070	200135069	200102016	200135068	100190001	200135064	200101031	200101034	200119027
301100011	B3 6 m <sup>3</sup> 4mm HB450 Drum	200200001	200135070	200135071	200102016	200135068	100190001	200135064	200101031	200101034	200119027
300100044	B3 7 m <sup>3</sup> 4mm HB450 Drum	200200006	200135074	200135073	200102016	200135072	100190001	200135064	200101031	200101034	200119027
300100042	B3 8 m <sup>3</sup> 4mm HB450 Drum	200200006	200135074	200135075	200102016	200135072	100190001	200135064	200101031	200101034	200119027
300100040	B3 9 m <sup>3</sup> 4mm HB450 Drum	200200006	200135074	200135076	200102016	200135072	100190001	200135064	200101031	200101034	200119027
300100038	B3 10 m <sup>3</sup> 4mm HB450 Drum	200200006	200135078	200135077	200102016	200135072	100190001	200135064	200101031	200101034	200119027
300100036	B3 12 m <sup>3</sup> 4mm HB450 Drum	200200006	200135080	200135079	200102016	200135072	100190002	200135064	200101031	200101034	200119027
300100034	B3 14 m <sup>3</sup> 4mm HB450 Drum	200200006	200135082	200135079	200102016	200135081	100190002	200135064	200101031	200101034	200119027
300100048	B3 15 m <sup>3</sup> 4mm HB450 Drum	200200006	200135085	200135084	200102016	200135083	100190002	200135064	200101031	200101034	200119027



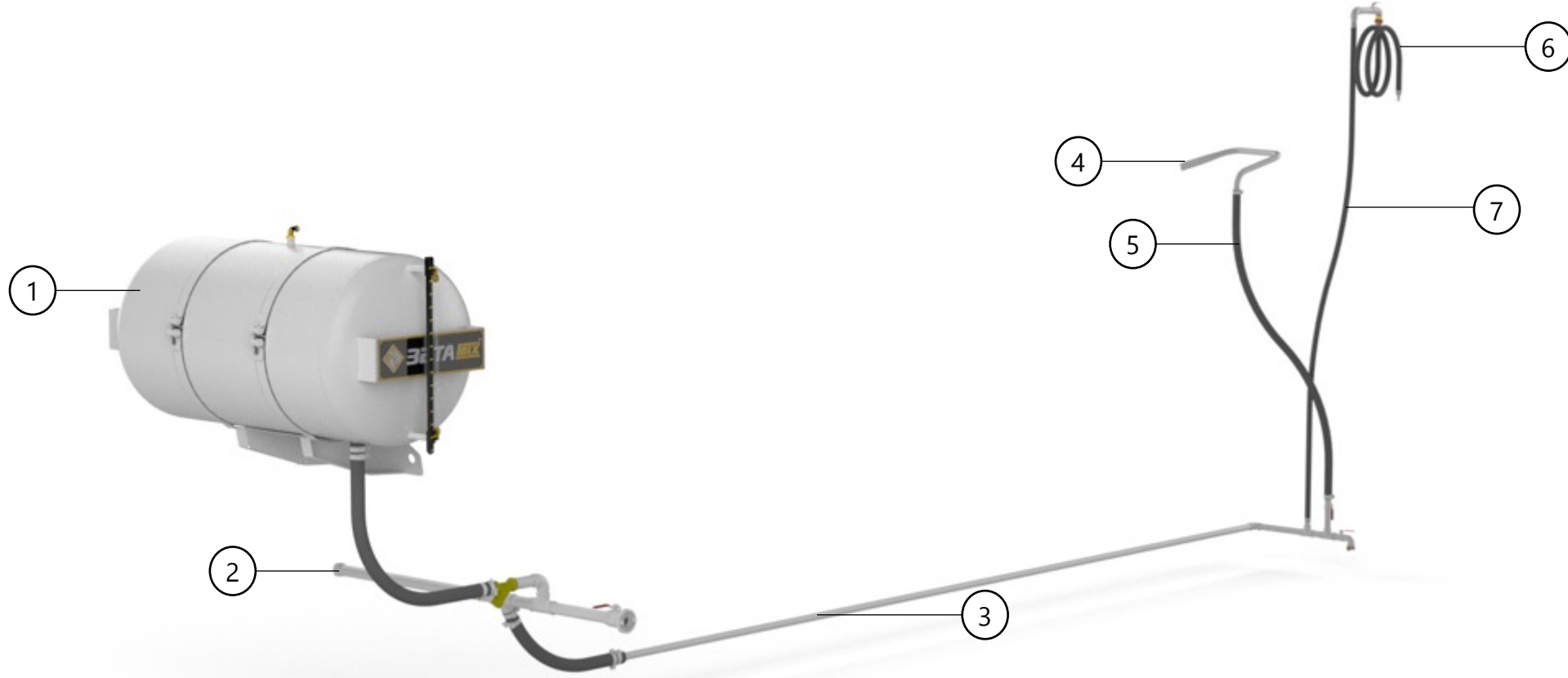
**STEEL QUALITY  
S500-MC & S355J2+N**

## ÜRÜN AÇIKLAMASI EXPLANATION



ÜRÜN KODU	AÇIKLAMA	1	2	3	4	5	6	7	8	9	10
		Bombe	Bombe Koni	Silindir	Adam Kapağı	Ring Koni	Ring	Yük Boşaltma Koni	Şerbetlik Çemberi	Anti Damlama Halkası	Ağız Halkası
301100001	B3 4 m <sup>3</sup> S500-MC+S355J2+N Kazan	200200001	200135003	200135002	200102016	200135022	100190001	200100001	200101031	200101034	200119027
301100006	B3 5 m <sup>3</sup> S500-MC+S355J2+N Kazan	200200001	200135006	200135005	200102016	200100002	100190001	200100001	200101031	200101034	200119027
301100011	B3 6 m <sup>3</sup> S500-MC+S355J2+N Kazan	200200001	200135006	200135007	200102016	200100002	100190001	200100001	200101031	200101034	200119027
300100044	B3 7 m <sup>3</sup> S500-MC+S355J2+N Kazan	200200006	200135010	200135009	200102016	200135028	100190001	200100001	200101031	200101034	200119027
300100042	B3 8 m <sup>3</sup> S500-MC+S355J2+N Kazan	200200006	200135010	200135011	200102016	200135028	100190001	200100001	200101031	200101034	200119027
300100040	B3 9 m <sup>3</sup> S500-MC+S355J2+N Kazan	200200006	200135010	200135012	200102016	200135028	100190001	200100001	200101031	200101034	200119027
300100038	B3 10 m <sup>3</sup> S500-MC+S355J2+N Kazan	200200006	200135014	200135013	200102016	200135028	100190001	200100001	200101031	200101034	200119027
300100036	B3 12 m <sup>3</sup> S500-MC+S355J2+N Kazan	200200006	200135016	200135015	200102016	200135028	100190002	200100001	200101031	200101034	200119027
300100034	B3 14 m <sup>3</sup> S500-MC+S355J2+N Kazan	200200006	200135018	200135015	200102016	200135037	100190002	200100001	200101031	200101034	200119027
300100048	B3 15 m <sup>3</sup> S500-MC+S355J2+N Kazan	200200006	200135021	200135020	200102016	200135039	100190002	200100001	200101031	200101034	200119027

CODE	EXPLANATION	1	2	3	4	5	6	7	8	9	10
		Camber	Camber Cone	Cylindrical Ring	Man Hole	Ring Cone	Ring	Discharge Cone	Metal Strip	Anti-Dripping Ring	Belt Ring
301100001	B3 4 m <sup>3</sup> S500-MC+S355J2+N Drum	200200001	200135003	200135002	200102016	200135022	100190001	200100001	200101031	200101034	200119027
301100006	B3 5 m <sup>3</sup> S500-MC+S355J2+N Drum	200200001	200135006	200135005	200102016	200100002	100190001	200100001	200101031	200101034	200119027
301100011	B3 6 m <sup>3</sup> S500-MC+S355J2+N Drum	200200001	200135006	200135007	200102016	200100002	100190001	200100001	200101031	200101034	200119027
300100044	B3 7 m <sup>3</sup> S500-MC+S355J2+N Drum	200200006	200135010	200135009	200102016	200135028	100190001	200100001	200101031	200101034	200119027
300100042	B3 8 m <sup>3</sup> S500-MC+S355J2+N Drum	200200006	200135010	200135011	200102016	200135028	100190001	200100001	200101031	200101034	200119027
300100040	B3 9 m <sup>3</sup> S500-MC+S355J2+N Drum	200200006	200135010	200135012	200102016	200135028	100190001	200100001	200101031	200101034	200119027
300100038	B3 10 m <sup>3</sup> S500-MC+S355J2+N Drum	200200006	200135014	200135013	200102016	200135028	100190001	200100001	200101031	200101034	200119027
300100036	B3 12 m <sup>3</sup> S500-MC+S355J2+N Drum	200200006	200135016	200135015	200102016	200135028	100190002	200100001	200101031	200101034	200119027
300100034	B3 14 m <sup>3</sup> S500-MC+S355J2+N Drum	200200006	200135018	200135015	200102016	200135037	100190002	200100001	200101031	200101034	200119027
300100048	B3 15 m <sup>3</sup> S500-MC+S355J2+N Drum	200200006	200135021	200135020	200102016	200135039	100190002	200100001	200101031	200101034	200119027



	TR	EN
CODE	AÇIKLAMA	EXPLANATION
	Su Sistemi	Water System

	TR	EN	
#	CODE	AÇIKLAMA	EXPLANATION
1	300650007	650 Lt. Basıncılı Su Tankı	650 Lt. Pressurized Water Tank
2	300980002	Beta Ön Konsol Tek Çıkışlı Su Tesisatı	Beta Front Support Single-Output Water Installation
3	300980003	Beta Su Tesisatı (Arka Tesisat)	Beta Water Installation (Rear Installation)
4	200900001	Fiskiye Borusu (Ø32x2)	Nozzle Pipe (Ø32x2)
5	200983001	Fiskiye Borusu Hortumu	Nozzle Pipe Hose
6	200983002	Beta Yıkama Hortumu (L=1900)	Beta Washing Hose (L=1900)
7	200983003	Beta Yıkama Hortumu Ara Su Borusu	Beta Washing Hose Water Pipe
8	200981001	Su Tankı Tesisat Borusu (L=1550)	Water Tank Installation Pipe (L=1550)
9	200981002	Su Tesisatı Bağlantı Borusu	Water Installation Fitting Pipe

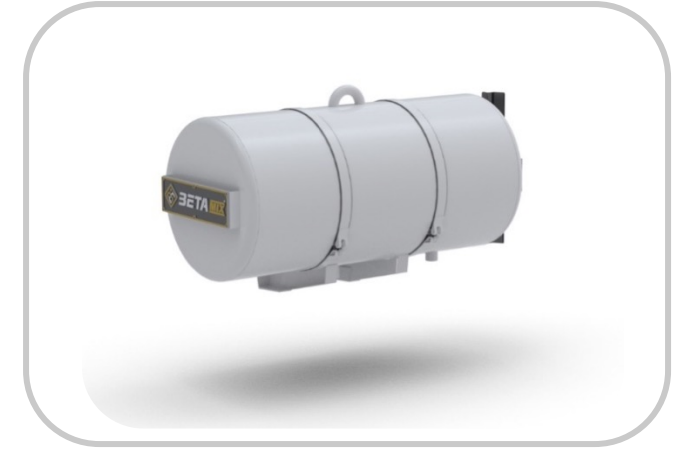
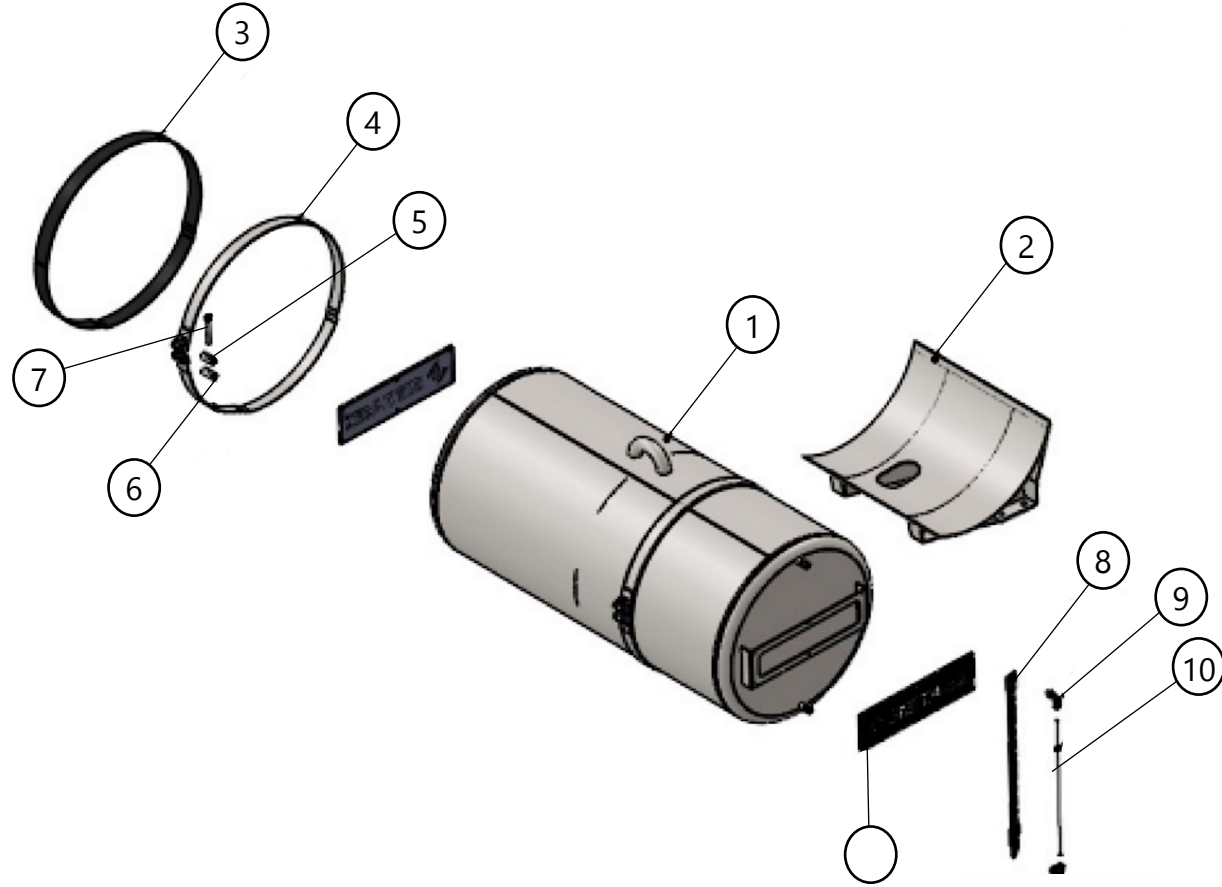




	TR	EN
CODE	AÇIKLAMA	EXPLANATION
300650004	Su Tankı 350Lt. Basınçlı	Pressurized Water Tank 350Lt.
300650005	Su Tankı 400Lt. Basınçlı	Pressurized Water Tank 400Lt.
300650007	Su Tankı 650Lt. Basınçlı	Pressurized Water Tank 650Lt.
300650010	Su Tankı 800Lt. Basınçlı	Pressurized Water Tank 800Lt.
300650012	Su Tankı 1000Lt. Basınçlı	Pressurized Water Tank 1000Lt.

	TR	EN	
#	CODE	AÇIKLAMA	EXPLANATION
1	300650007	650 LT Basınçlı Su Tankı	650 Lt. Pressurized Water Tank
2	300660003	Beta Su Tankı Konsolu	Beta Water Tank Support
3	200651011	Su Tankı Konsolu Conta	Water Tank Support Gasket
4	200654007	Su Tankı Konsolu Kelepçe Sacı	Water Support Clamp Sheet
5	200651013	Su Tankı Kelepçe Pini	Water Tank Clamp Pin
6	200654012	Su Tankı Kelepçe Pini (M12)	Water Tank Clamp Pin (M12)
7	100150048	Su Tankı Kelepçe Pini Civatası (M12)	Water Tank Clamp Pin Bolt (M12)
8	200662001	Basınçlı Su Tankı Seviye Gösterge Sacı	Pressurized Water Tank Level Pipe Plate
9	100270031	Gösterge Borusu Bağlantı Rakoru	Water Tank Level Pipe Connection Coupling
10	200654009	Su Tankı Seviye Gösterge Borusu	Water Tank Level Pipe
11	100240030	Redüksiyon Galvanizli 3/4" – 1/2"	Galvanized Nut 3/4" – 1/2"
12	100270007	Rakor 1/2x 22x1.5 EDD	Coupling 1/2x 22x1.5 EDD
13	200651014	Su Tankı Logo	Water Tank Logo

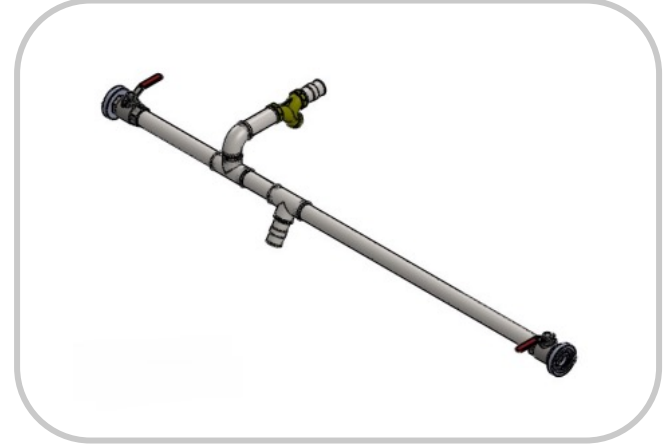
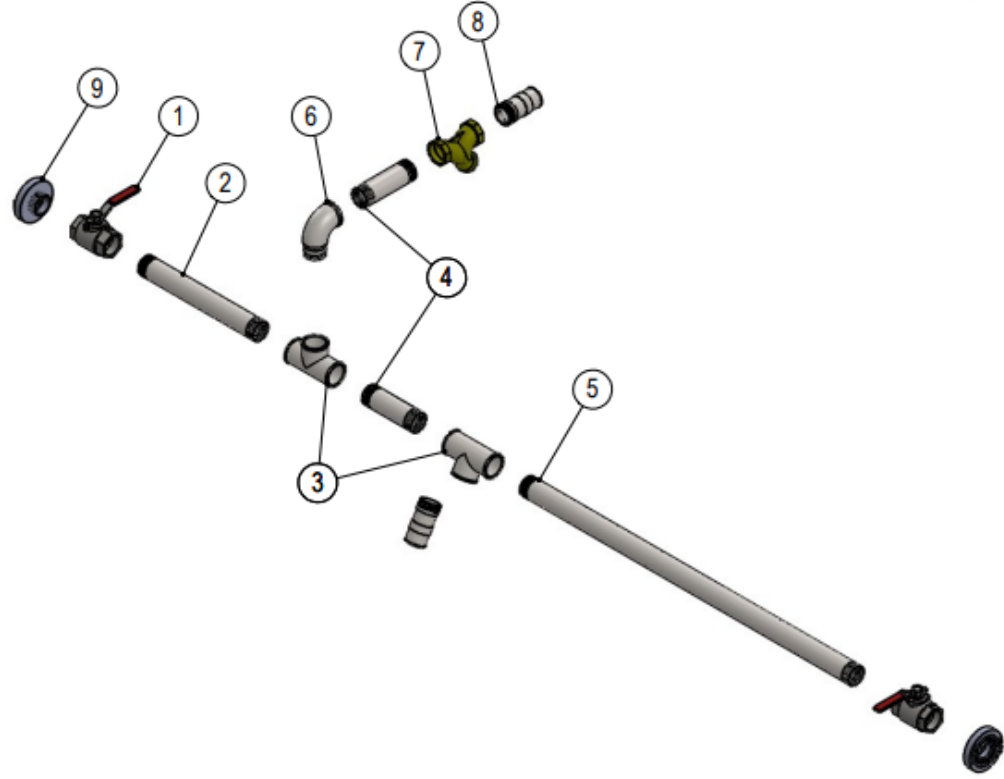
# BASINÇSIZ SU TANKI UNPRESSURIZED WATER TANK



	TR	EN
CODE	AÇIKLAMA	EXPLANATION
300450003	Su Tankı 350Lt. Basınçsız	Unpressurized Water Tank 350Lt.
300650006	Su Tankı 650Lt. Basınçsız	Unpressurized Water Tank 650Lt.
300650009	Su Tankı 800Lt. Basınçsız	Unpressurized Water Tank 800Lt.
300650011	Su Tankı 1000Lt. Basınçsız	Unpressurized Water Tank 1000Lt.

	TR	EN	
#	CODE	AÇIKLAMA	EXPLANATION
1	300650006	650 Lt. Basınçsız Su Tankı	650 Lt. Unpressurized Water Tank
2	300660003	Beta Su Tankı Konsolu	Beta Water Tank Support
3	200651011	Su Tankı Konsolu Conta	Water Tank Support Gasket
4	200654007	Su Tankı Konsolu Kelepçe Sacı	Water Tank Support Clamp Sheet
5	200651013	Su Tankı Kelepçe Sıkıştırma	Water Tank Clamp Pin
6	200654012	Su Tankı Kelepçe Sıkıştırma (M12)	Water Tank Clamp Pin (M12)
7	100150048	Su Tankı Kelepçe Sıkıştırma Cıvatası (M12)	Water Tank Clamp Pin Bolt (M12)
8	200662001	Basınçsız Seviye Gösterge Sacı	Unpressurized Water Tank Level Pipe Plate
9	100270031	Gösterge Borusu Bağlantı Rakoru	Water Tank Level Pipe Connection Coupling
10	200654009	Su Tankı Seviye Gösterge Borusu	Water Tank Level Pipe
11	100240030	Redüksiyon Galvanizli 3/4" – 1/2"	Galvanized Nut 3/4" – 1/2"
12	100270007	Rakor 1/2x 22x1.5 EDD	Coupling 1/2x 22x1.5 EDD
13	200651014	Su Tankı Logo	Water Tank Logo

# ÇİFT YÖNLÜ SU GİRİŞİ DOUBLE-SIDED WATER INPUT



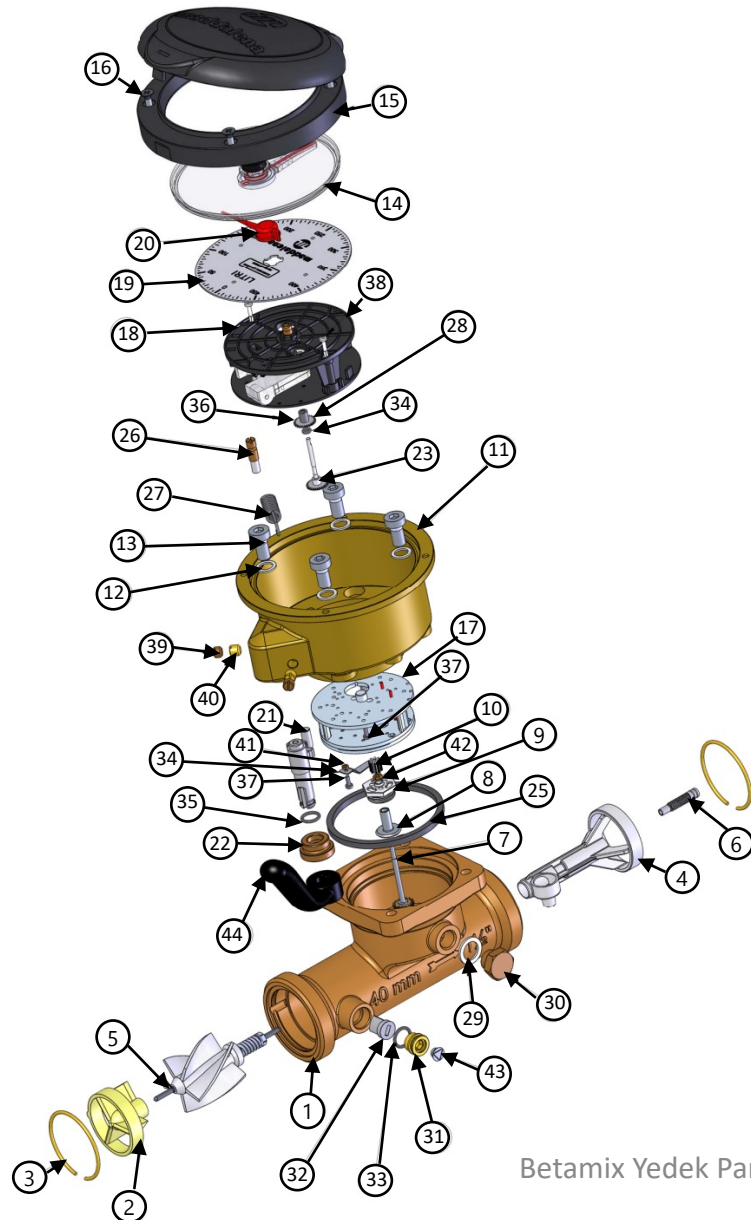
## ÜRÜN AÇIKLAMASI EXPLANATION



	TR	EN
CODE	AÇIKLAMA	EXPLANATION
300980001	Çift Yönlü Su Girişi	Double-Sided Water Input

	TR	EN	
#	CODE	AÇIKLAMA	EXPLANATION
1	100240002	Vana Küresel 1 ½" PN16	Ball Valve 1 ½" PN16
2	200900120	Testli Boru 1 ½"	Pipe 1 ½"
3	100240037	T 1 ½" (BSPT) Galvaniz	T 1 ½" (BSPT) Galvanized
4	200900119	Testli Boru 1 ½"	Pipe 1 ½"
5	200900121	Testli Boru 1 ½"	Pipe 1 ½"
6	100240042	Dirsek Kuyruklu 1 ½" (Galvaniz)	Elbow (Galvanized)
7	100240026	Pislik Tutucu Sarı 1 ½"	Filter 1 ½"
8	200900011	Hortum Ağız Testli Boru 1 ½"	Hose Fitting Pipe 1 ½"
9	100240032	Kurtağız Erkek Alüminyum 1 ½"	Quick Coupling Male Aluminium 1 ½"

# MADDALENA SU SAATİ / MADDALENA WATER METER



# ÜRÜN AÇIKLAMASI EXPLANATION

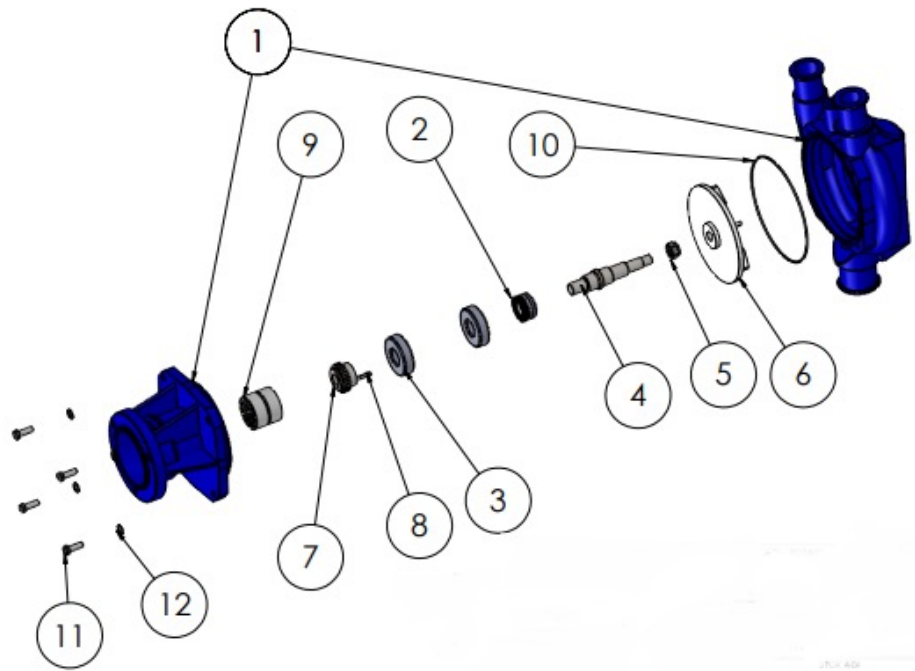


TR		EN	
CODE	AÇIKLAMA	EXPLANATION	
100240054	Maddalena Su Saati	Maddalena Water Meter	

#	TR AÇIKLAMA	EN EXPLANATION	#	TR AÇIKLAMA	EN EXPLANATION
1	Su Saati Gövde 40mm	Water Meter Body 40mm	22	Kontrol Kolu Kapağı (OT58 FORO Ø10)	Control Lever Lid (OT58 FORO Ø10)
2	Türbin WM40-RF	Turbine WM40-RF	23	Bağlantı Contası (A30AP)	Joint Gasket (A30AP)
3	Sıkma Ringi WM/40mm	Wringing Ring WM/40mm	24	Plastik Dişli Tutacağı Yayı	Plastic Gear Holder String
4	Türbin WM/40	Turbine WM/40	25	Sıkma Contası (68x75,5x4 NBR80)	Tightening Gasket (68x75,5x4 NBR80)
5	Makara (WMA 40-VSFD-AF-R)	Roller (WMA 40-VSFD-AF-R)	26	Vida (5 MA x 25 TC – OT 58)	Screw (5 MA x 25 – OT 58)
6	Orta Kayıt Vidası TDML/TDSL 20/50	Screw Record TDML/TDSL 40/50	27	Kontrol Kolu Yayı	Control Lever String
7	Transmitter WM-40 ATRE D2	Transmissione WM-40 ATRE D2	28	Bağlantı Contası A29M	Joint Gasket A29M
8	Bağlantı Contası WM/40	Joint Gasket WM/40	29	O Ring	O Ring
9	Plastik Dişli Tutacağı WM/40mm	Plastic Gear Holder WM/40mm	30	Mühür	Sealing
10	Plastik Dişli (WM-C8 MODUL 0,75)	Plastic Gear (WM-C8 MODUL 0,75)	31	Kapama Vidası (M12x1 DWM 40mm)	Sealing Screw (M12x1 DWM 40mm)
11	Pirinç Alaşım Plastik Kapsül	Plastic Capsule (Brass)	32	Kaplin WMA/40mm-AF	Coupling WMA/40mm-AF
12	Bağlantı Contası (TDL 8,5x13x1 FASIT 202)	Joint Gasket (TDL 8,5x13x1 FASIT 202)	33	Bağlantı Contası (10,82x1,78 2043 EPDM70SH)	Joint Gasket (10,82x1,78 2043 EPDM70SH)
13	Gömme Vida M8-16	Countersunk Screw M8x16	34	Bağlantı Contası (2,587x1,78 2010 NBR70)	Joint Gasket (2,587x1,78 2010 NBR70)
14	Kızaklı Ring (PP)	Sliding Ring (PP)	35	Bağlantı Contası (9,25x1,78 2037 NBR70)	Joint Gasket (9,25x1,78 2037 NBR70)
15	Kapak DWM Maddalena	Lid DWM Maddalena	36	Vida (A2 M2x3 UNI EN24766 (INOX))	Screw (A2 M2x3 UNI EN24766 - INOX)
16	Vida (M4x12 UNI 7688 DIN 965 AISI 304)	Screw (M4x12 UNI 7688 DIN 965 AISI 304)	37	Vida (M2,3x0, 4x6,5 TCC)	Screw (M2,3x0, 4x6,5 TCC)
17	Saat Mekanizması (TDML40.029H)	Clockwork (TDML40.029H)	38	Vida (TBCC M2,5 x 30 UNI EN ISO 7045)	Screw (TBCC M2,5 x 30 UNI EN ISO 7045)
18	Plastik Batarya	Plastic Battery	39	Vida (7 MA x 5 ST OT58)	Screw (7 MA x 5 ST OT58)
19	Plastik Sayaç	Plastic Register	40	Orta Kayıt Vidası (M7 x 6,5 OT 58)	Screw Record (M7 x 6,5 OT 58)
20	Sayaç Kolu	Register Lever	41	Küp Cıvata (Pirinç M2, 3x0, 4)	Cubic Bolt (Brass M2, 3x0, 4)
21	Kontrol Kolu (DN40/50 Ø10)	Control Lever (DN40/50 Ø10)	42	Küp Cıvata (Pirinç 2,6 MA)	Cubic Bolt (Brass 2,6 MA)
			43	Kaplin Somunu	Coupling Nut

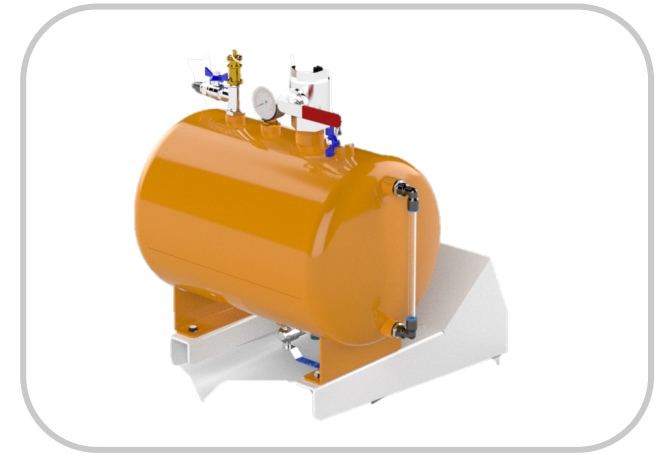
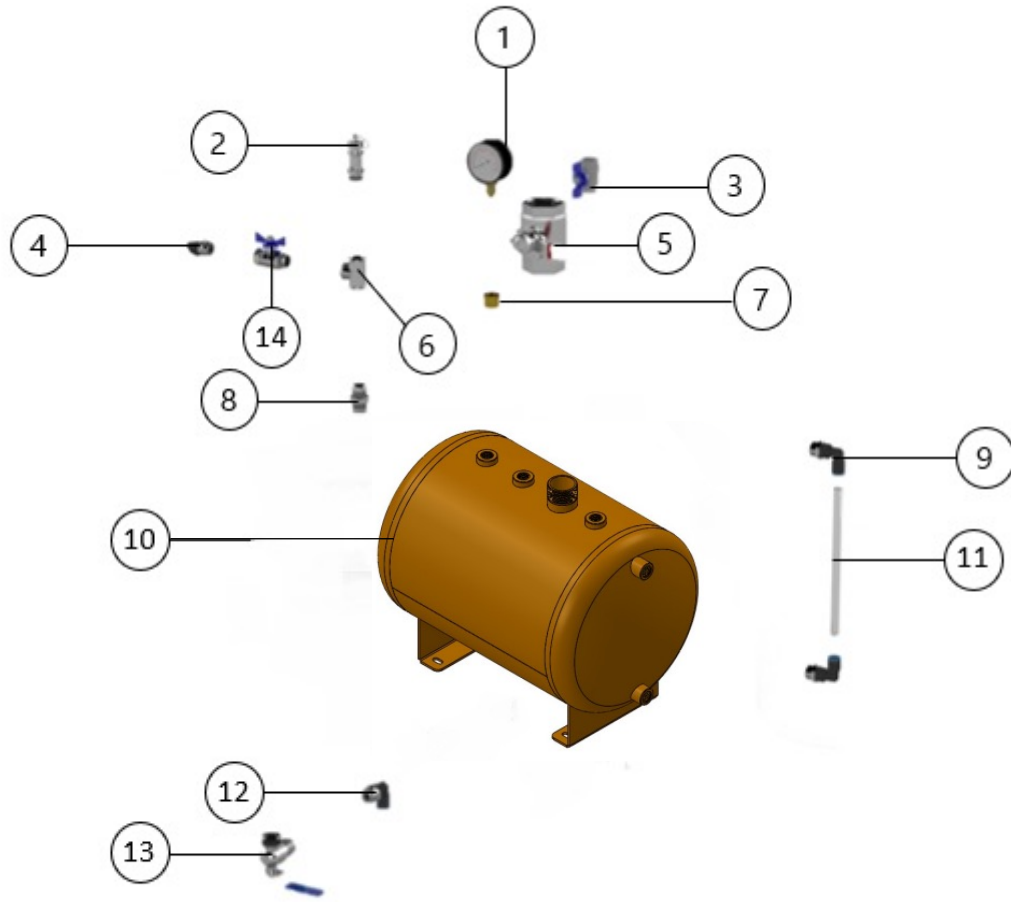




	TR	EN
CODE	AÇIKLAMA	EXPLANATION
100110004	Su Pompası	Water Pump

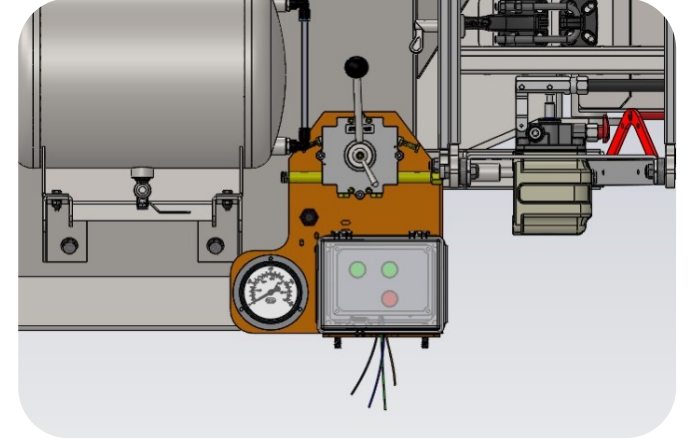
	TR	EN	
#	CODE	AÇIKLAMA	EXPLANATION
1	100110004	Su Pompası Döküm Gövde	Griddle Water Pump
2	100090055	Keçe Kömür Su Pompası (Salmastra)	Felt (Gasket)
3	100090058	Su Pompası Rulmanı	Water Pump Bearing
4	100090053	Su Pompası Mili	Water Pump Shaft
5	100150083	DIN985 M14 Fiberli Somun	DIN985 M14 Fibered Nut
6	100090054	Su Pompası Fanı	Water Pump Fan
7	100090052	Su Pompası Freze Dişlisi	Water Pump Milling Gear
8	100090080	5x5x22mm Su Pompası Mil Kaması	5x5x22mm Water Pump Shaft Key
9	100090057	Kaplin Su Pompası Fiber	Coupling Water Pump Fiber
10	100090056	Su Pompası O-Ring	Water Pump O-Ring
11	100150012	DIN933 M8X25 (8.8) Galvaniz	DIN933 M8X25 88.8) Galvanized
12	100150072	M8 Pul Galvaniz	M8 Galvanized Washer

# KATKI TANKI ADDITIVE TANK

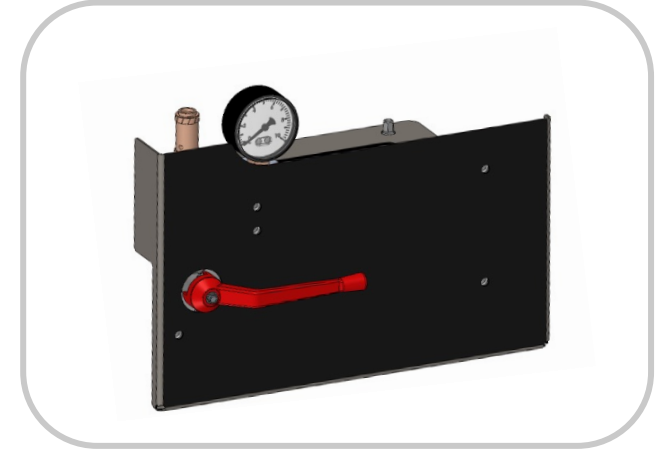
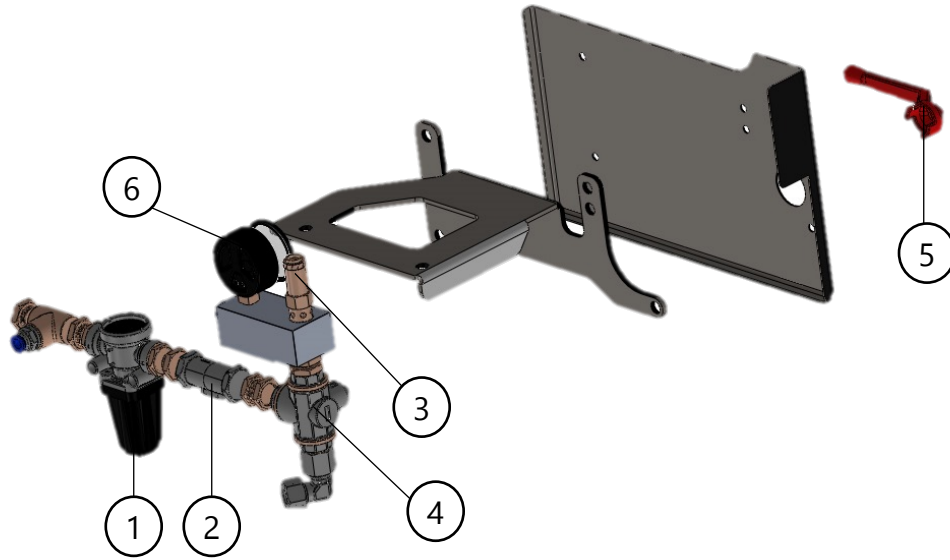


TR		EN
CODE	AÇIKLAMA	EXPLANATION
100270030	Katkı Tankı	Additive Tank

#	CODE	AÇIKLAMA	EN
		EXPLANATION	
1	100270003	Manometre	Manometer
2	100270024	Emniyet Ventili Düz ½	Safety Valve ½
3	100240004	Küresel Vana Mini ½	Ball Valve 1/2
4	100270023	Pnömatik Dirsek ½	Pneumatic Elbow 1/2
5	100240002	Küresel Vana 1 ½ PN16	Ball Valve 1 ½ PN16
6	100240036	T 1/2 Galvaniz	T ½ Galvanized
7	100240031	Redüksiyon (Sarı) ½ - ¼	Nut (Brass) ½ - ¼
8	100240022	Nipel 1/2 Galvaniz	Nipple ½ Galvanized
9	100270021	Pnömatik Dirsek ½ 12 mm	Pneumatic Elbow ½ 12 mm
10	100270030	Katkı Tankı	Additive Tank
11	100030033	Şeffaf Boru Akrilik 18x8 mm	Transparent Pipe Acrylic 18x8 mm
12	100270021	Pnömatik Dirsek ½ 12 mm	Pneumatic Elbow ½ 12 mm
13	100240006	Vana Küresel ¾	Ball Valve ¾
14	100240007	Vana Kelebek Erkek-Dişi ½	Batterfly Valve Male-Female ½



	TR	EN
CODE	AÇIKLAMA	EXPLANATION
100270002	Slump Saati	Slump Meter



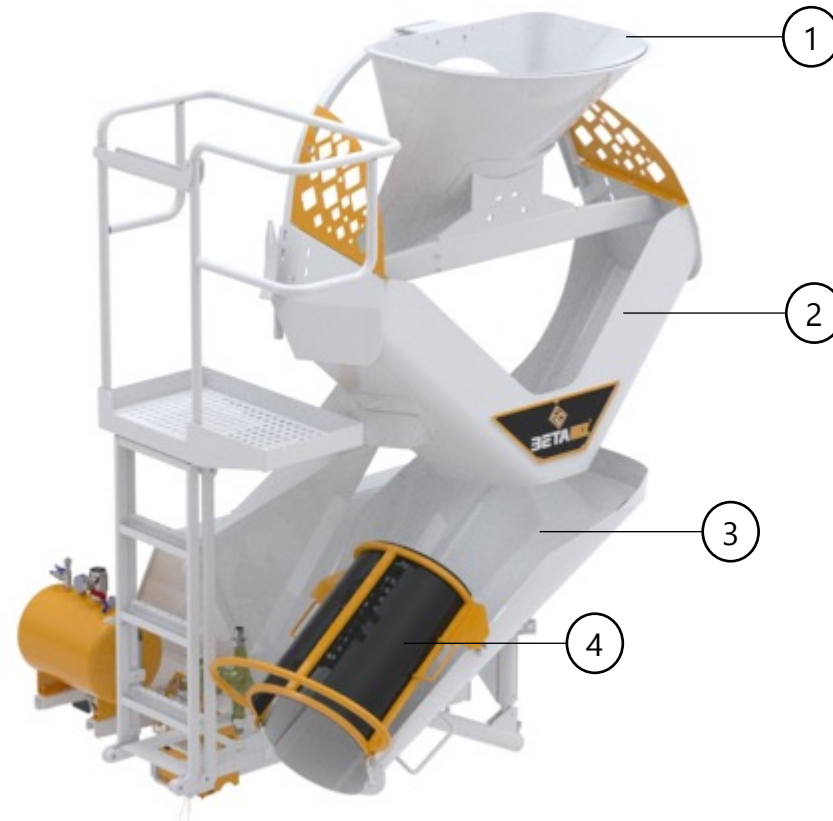
	TR	EN
CODE	AÇIKLAMA	EXPLANATION
400200091	Basınçlı Su Tankı İçin Pnömatik Sistem	Pneumatic System For Pressurized Water Tank

	TR	EN	
#	CODE	AÇIKLAMA	EXPLANATION
1	100270036	3F Limit Valfi (Eurotech 316.101.0)	3F Valve (Eurotech 316.101.0)
2	100270035	3F İki Yönlü Valf (Eurotech 177.111.0)	3F Double-Sided Valve(Eurotech 177.111.0)
3	100270073	Basınçlı Hava Sistemi Tahliye Ventili 3/8" 5 Bar (Yerli)	Drain Valve 3/8" 5 Bar
4	100270044	Basınçlı Hava Sistemi Üç Yollu Küresel Vana Gövdesi M22x1,5 (Yerli)	Three-Sided Ball Valve Body M22x1,5
5	100270140	Basınçlı Hava Sistemi Üç Yollu Küresel Vana Kulpu	Three-Sided Ball Valve Handle
6	100270003	Manometre Dasterm Glis. Alt Çıkış 63 mm.	Manometer Dasterm Glis. Bottom Output 63 mm.

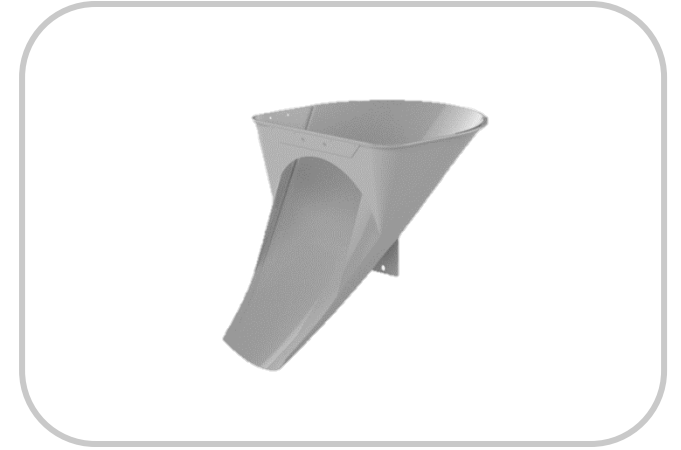
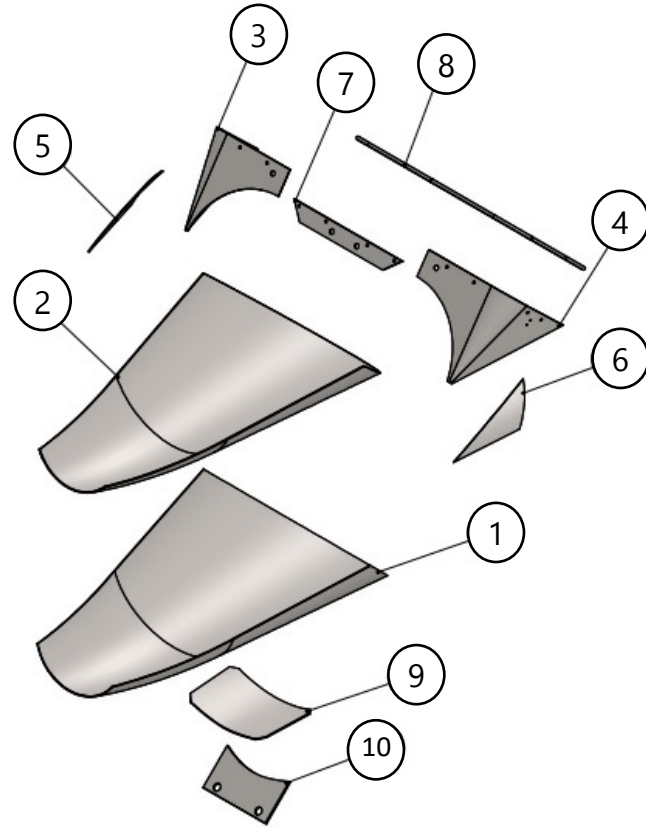




5

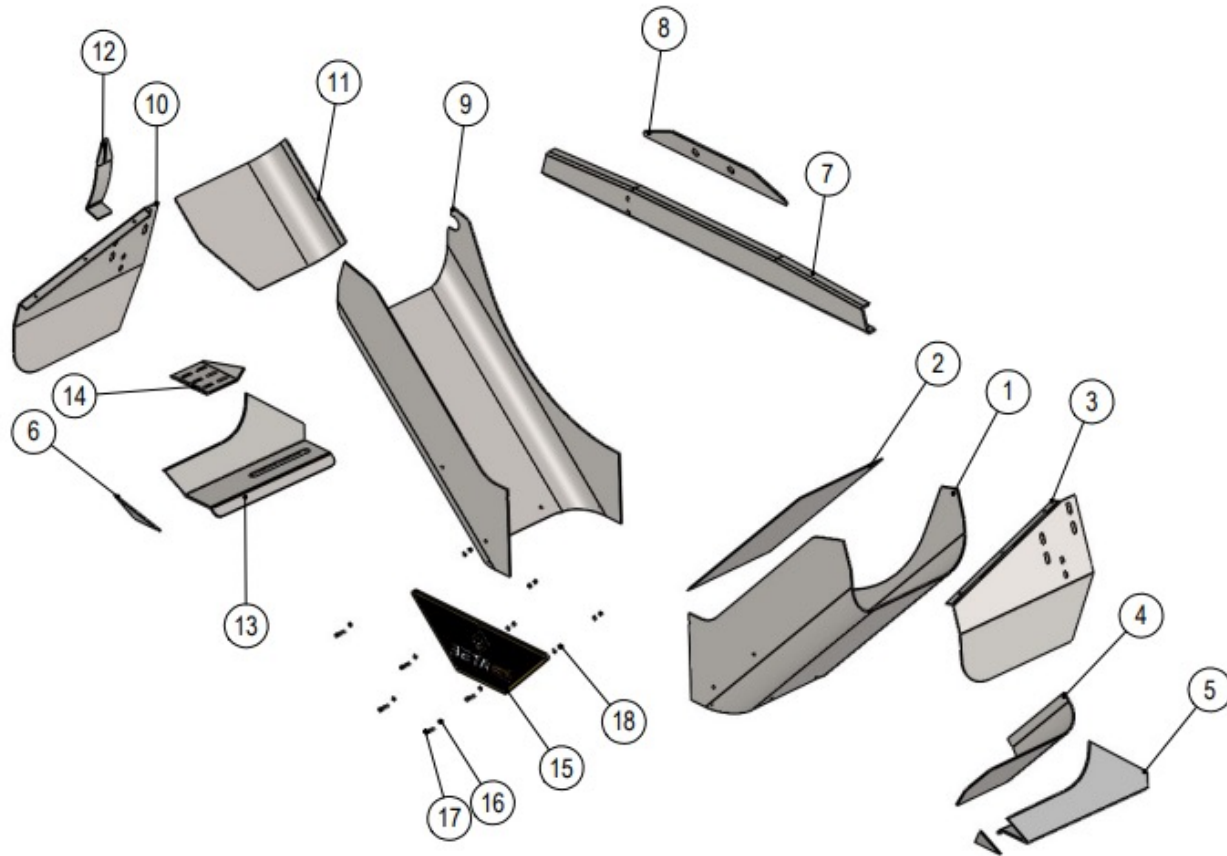


## 1-DOLDURMA OLUĐU FEEDING CHUTE



	TR	EN
	CODE	AÇIKLAMA
		EXPLANATION
	300300001	Beta Doldurma Oluğu
		Beta Feeding Chute

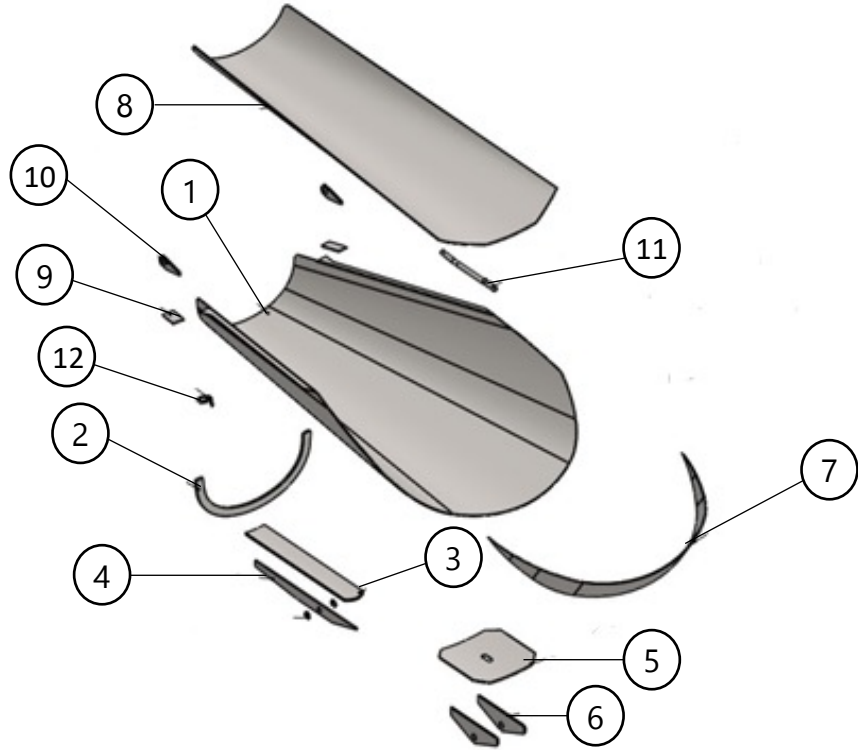
		TR	EN
#	CODE	AÇIKLAMA	EXPLANATION
1	200301002	Doldurma Oluğu Gövde Sacı	Beta Feeding Chute Wearing Sheet
2	200301001	Doldurma Oluğu Aşınma Sacı	Beta Feeding Chute Connection Sheet
3	200301005	Doldurma Oluğu Ön Köşe Sacı (Sağ)	Beta Feeding Chute Semilunar Plate
4	200301009	Doldurma Oluğu Ön Köşe Sacı (Sol)	Beta Feeding Chute Semilunar
5	200301008	Doldurma Oluğu Gönye Sacı (Sağ)	Beta Feeding Sheet Angled Sheet
6	200301006	Doldurma Oluğu Gönye Sacı (Sol)	Beta Feeding Chute Front Corner Sheet
7	200301004	Doldurma Oluğu Bağlantı Sacı	Beta Feeding Chute Body Sheet
8	200301010	Doldurma Dolama	Transmission Steel
9	200301003	Doldurma Oluğu Yarım Ay Destek Sacı	Beta Feeding Chute Semilunar Support Sheet
10	200302001	Doldurma Oluğu Yarım Ay	Beta Feeding Chute Semilunar



	TR	EN	
	CODE	AÇIKLAMA	EXPLANATION
	300250001	Beta V Oluk	Beta V Chute

	TR	EN	
#	CODE	AÇIKLAMA	EXPLANATION
1	200251010	Beta V Oluk Gövde Sacı (Sağ)	Beta V Chute Body Sheet (Right)
2	200251005	Beta V Oluk Aşınma Sacı	Beta V Chute Wearing Chute
3	200251001	Beta V Oluk Kapak Sacı (Sağ)	Beta V Chute Cover Sheet (Right)
4	200251004	Beta V Oluk Ayak Altı Destek Sacı (Sağ)	Beta V Chute Base Support Sheet (Right)
5	200251003	Beta V Oluk Ayak Sacı (Sağ)	Beta V Chute Base Sheet (Right)
6	200251006	Beta V Oluk Ayak Kapağı	Beta V Chute Base Cover
7	200251002	Beta V Oluk Gergi Sacı	Beta V Chute Tension Sheet
8	200251009	Beta V Oluk Bağlantı Sacı	Beta V Chute Connection Sheet
9	200251011	Beta V Oluk Gövde Sacı (Sol)	Beta V Chute Body Sheet (Left)
10	200251012	Beta V Oluk Kapak Sacı (Sol)	Beta V Chute Cover Sheet (Left)
11	200251014	Beta V Oluk Ayak Altı Destek Sacı (Sol)	Beta V Chute Base Support Sheet (Left)
12	200251008	Beta V Oluk Hortum Sarma Sacı	Beta V Chute Hose Holder Sheet
13	200251013	Beta V Oluk Ayak Sacı (Sol)	Beta V Chute Base Sheet (Left)
14	200251007	Beta V Oluk Merdiven Bağlantı Sacı	Beta V Chute Ladder Connection Sheet
15	100280090	Beta PVC Levha V Oluk Kabartma Etiket	Beta V Chute PVC Plate Label
16	100150073	Pul DIN 125 M6	Washer DIN 125 M6
17	100150004	Vida (HEX-ISO4017-8.8-WS10-(A2K)-M6X30)	Screw (HEX-ISO4017-8.8-WS10-(A2K)-M6X30)
18	100150088	Somun (HEX-SLOK-DIN985-I8I-WS10-(A2K)-M6)	Nut (HEX-SLOK-DIN985-I8I-WS10-(A2K)-M6)

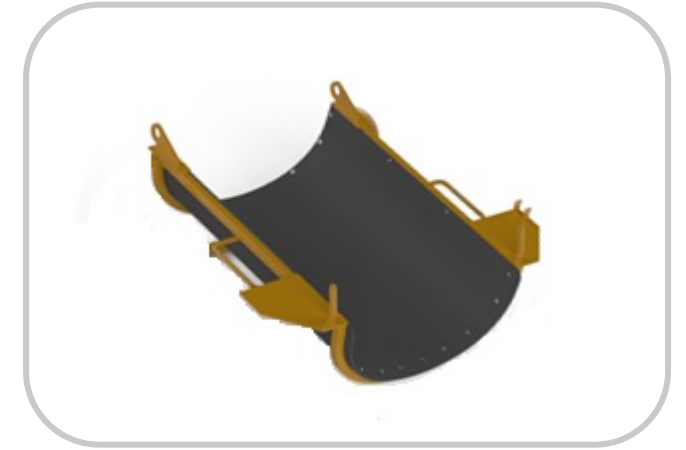
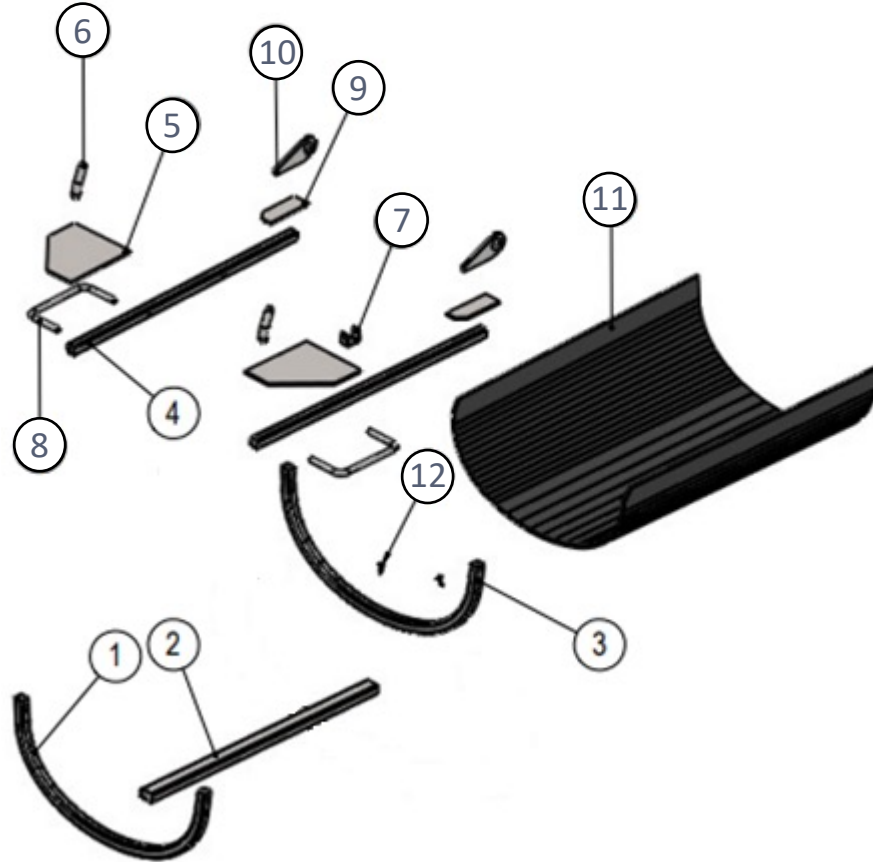
### 3-BOŞALTMA OLUĞU DISCHARGE CHUTE



TR		EN
CODE	AÇIKLAMA	EXPLANATION
300350003	Beta Boşaltma Oluğu	Beta Discharge Chute

#	CODE	AÇIKLAMA	EXPLANATION
1	200352004	Beta Boşaltma Oluğu Gövde Sacı	Beta Discharge Chute Body Sheet
2	200352009	Beta Boşaltma Oluğu U Laması	Beta Discharge Chute U Plate
3	200352007	Beta Boşaltma Oluğu Piston Bağlantı Destek Plakası	Beta Discharge Chute Piston Connection Support Plate
4	200352005	Beta Boşaltma Oluğu Piston Bağlantı Sacı	Beta Discharge Chute Piston Connection Plate
5	200351003	Beta Boşaltma Oluğu Deve Boynu Destek Plakası	Beta Discharge Chute Mechanism Support Plate
6	200351004	Beta Boşaltma Oluğu Deve Boynu Bağlantı Sacı	Beta Discharge Chute Mechanism Connection Sheet
7	200352002	Stetter Boşaltma Oluğu Şapka Sacı Ay	<b>Stetter Discharge Chute Cricoid Sheet</b>
8	200352001	Stetter Boşaltma Oluğu Aşınma Sacı Ay	Stetter Discharge Chute Wearing Sheet (Lunate)
9	200353001	Beta Boşaltma Oluğu Katlanır Bağlantı Destek Sacı	Beta Discharge Chute Folding Connection Support Sheet
10	200351011	Beta Boşaltma Oluğu Menteşesi	Beta Discharge Chute Hinge
11	200351005	Beta Boşaltma Oluğu Lastik Tutucu	Beta Discharge Chute Rubber Holder
12	200352008	Stetter Boşaltma Oluğu Çevirme Kolu (Ø16)	Stetter Discharge Chute Turning Lever(Ø16)
13	100150067	Pul M14 Galvaniz	Washer M14 Galvanized

## 4-KATLANIR OLUK FOLDING CHUTE

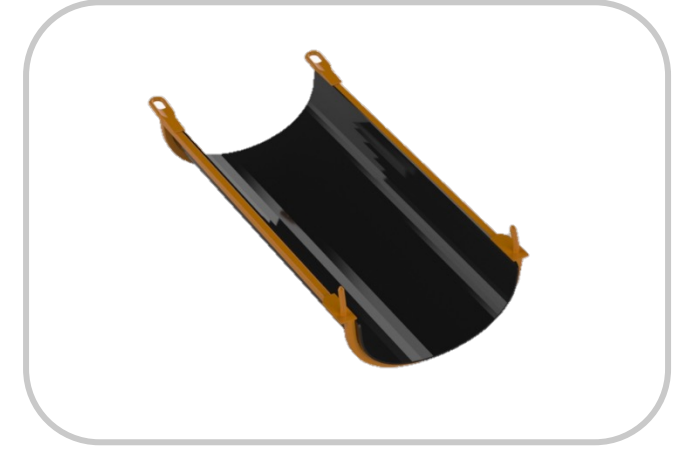
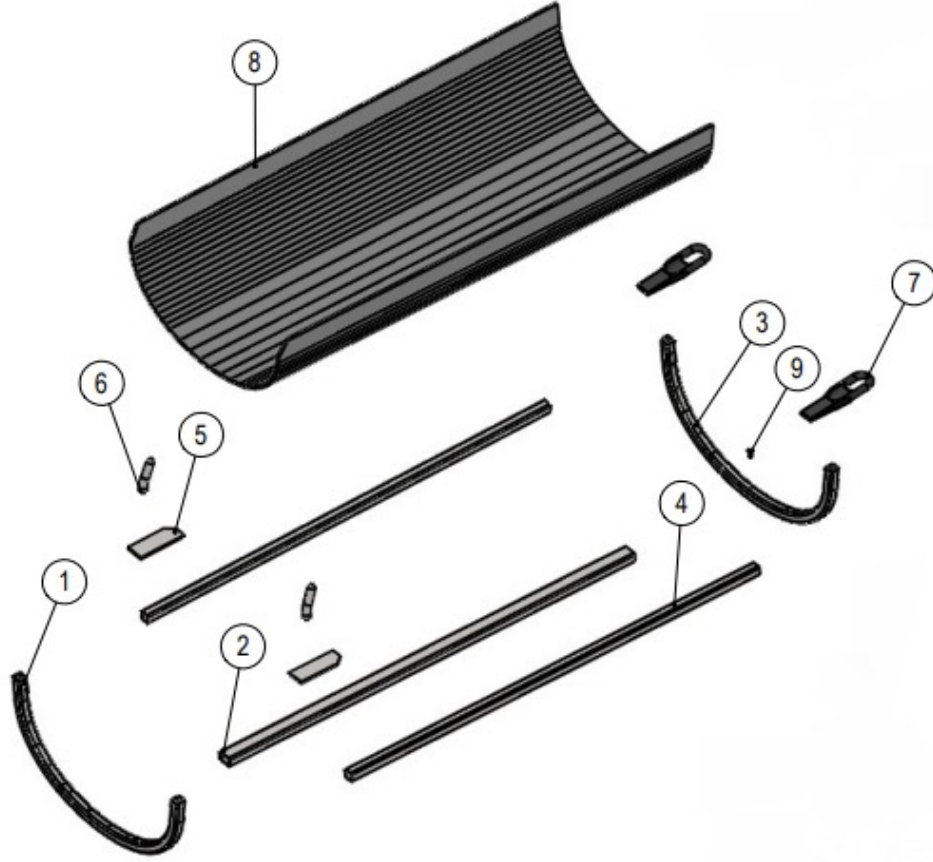




TR		EN
CODE	AÇIKLAMA	EXPLANATION
300550004	Beta Katlanır Oluk Komple	Beta Folding Chute

TR		EN	
#	CODE	AÇIKLAMA	EXPLANATION
1	200552006	Beta Profil Kaburga (Kısa)	Beta Costal Profile (Short)
2	200554003	Beta Katlanır Oluk Destek Profil	Beta Folding Chute Support Profile
3	200552001	Beta Profil Kaburga (Uzun)	Beta Costal Profile (Long)
4	200554002	Beta Katlanır Oluk Yan Profili	Beta Folding Chute Side Profile
5	200554005	Beta Katlanır Oluk Arka Plaka Sacı	Beta Folding Chute Rear Plate Sheet
6	200554010	Beta Katlanır Oluk Pimi	Beta Folding Chute Pin
7	200554009	Beta Katlanır Oluk U Sac	Beta Folding Chute U Sheet
8	200554008	Beta Katlanır Oluk Tutma Transmisyonu	Beta Folding Chute Holder
9	200554004	Beta Katlanır Oluk Sacı	Beta Folding Chute Sheet
10	200554006	Beta Katlanır Oluk Menteşe Sacı	Beta Folding Chute Hinge Sheet
11	200554011	Beta 65cm Katlanır Oluk Lastiği	Beta 65cm Folding Chute Rubber
12	100150116	Yıldız Uçlu 3,9x19 Pullu Akıllı Vida	Cross-Head Self-Tapping Screw 3,9x19

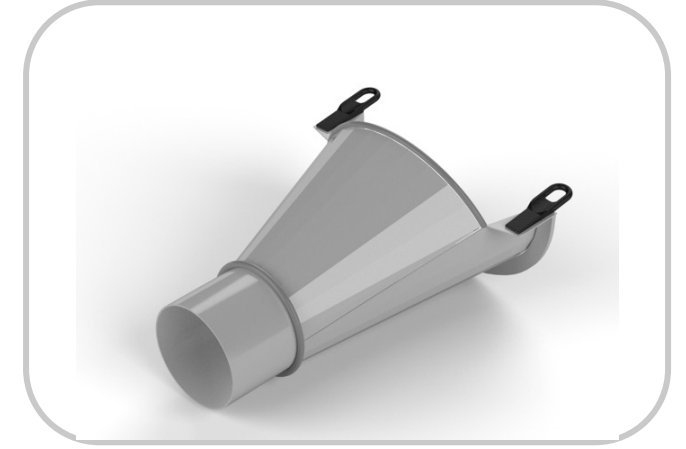
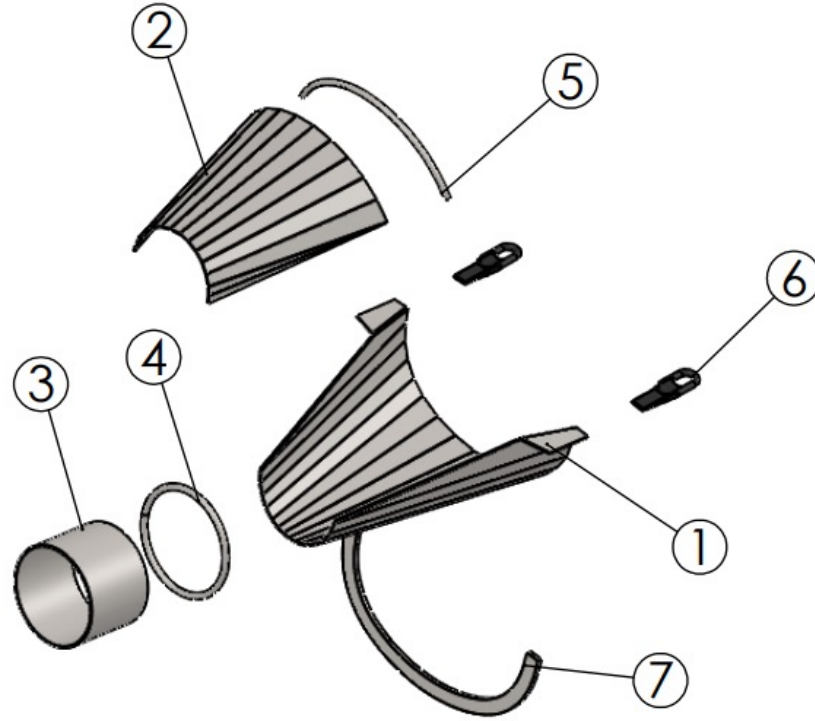
## 5-İLAVE OLUK EXTENSION CHUTE



TR		EN
CODE	AÇIKLAMA	EXPLANATION
300550002	Beta İlave Oluk Komple	Beta Extension Chute

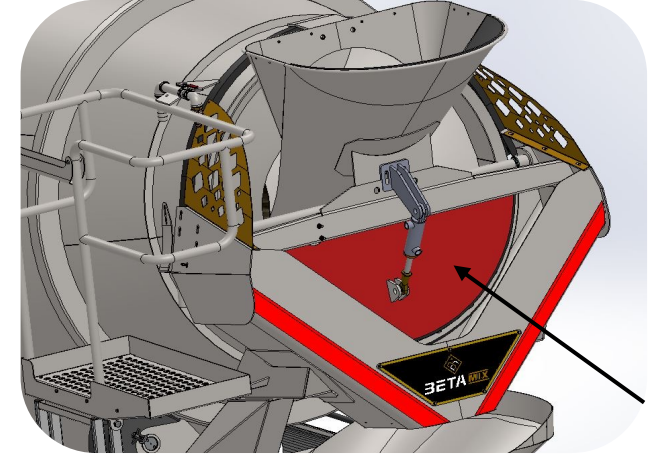
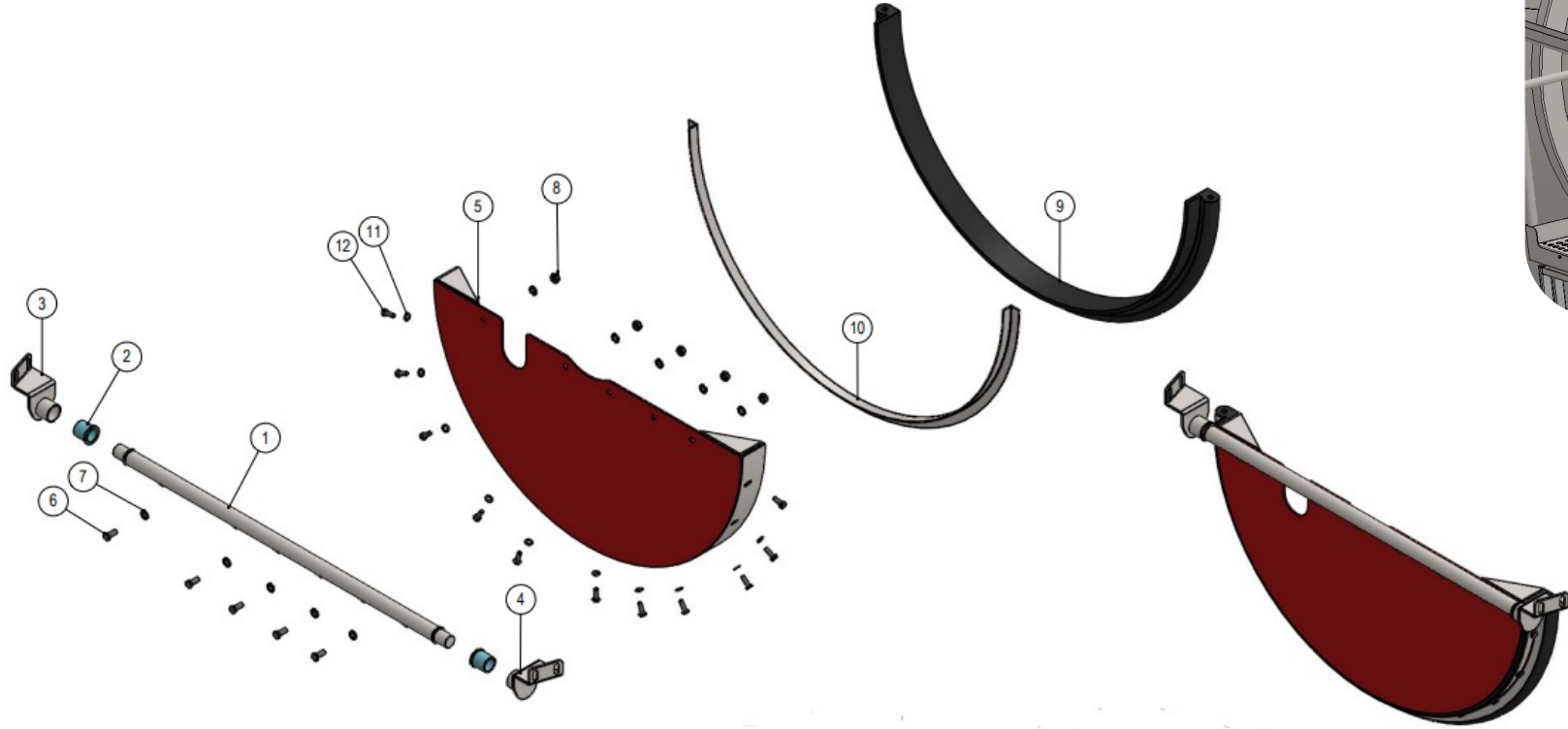
TR		EN	
#	CODE	AÇIKLAMA	EXPLANATION
1	200552006	Profil Kaburga (Kısa)	Lunar Profile (Short)
2	200552003	İlave Oluk Destek Profil	Extension Chute Support Profile
3	200552001	Profil Kaburga Uzun	Lunar Profile (Long)
4	200552002	İlave Oluk Yan Profil	Extension Chute Side Profile
5	200554004	Katlanır Oluk Sacı	Folding Chute Sheet
6	200554010	Katlanır Oluk Pimi	Folding Chute Pin
7	100600008	İlave Kanca Oluk	Extension Clamp Chute
8	200552007	100cm Katlanır Oluk Lastiği	100cm Folding Chute Rubber
9	100150116	Yıldız Uçlu 3.9x19 Pullu Akıllı Vida	Cross-Head Self-Tapping Screw 3,9x19

## HUNİ TİPİ İLAVE OLUK DISCHARGE FUNNEL CHUTE



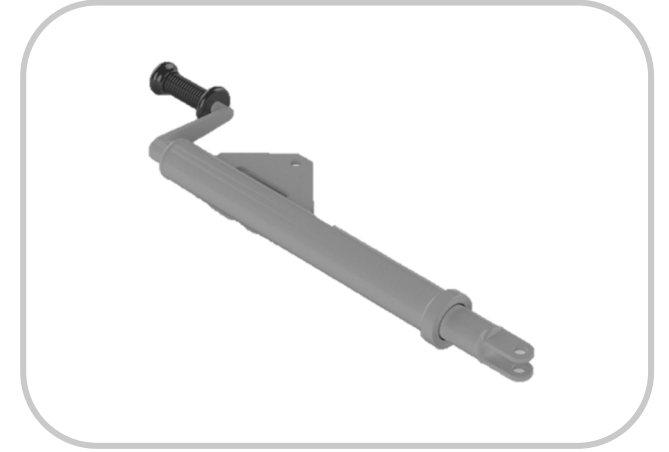
TR		EN
CODE	AÇIKLAMA	EXPLANATION
300550006	Huni Tipi İlave Oluk	Discharge Funnel Chute

TR		EN	
#	CODE	AÇIKLAMA	EXPLANATION
1	200556001	Huni Tipi Oluk (Ø200mm) Alt Sac	Discharge Funnel Chute (Ø200mm) Base Sheet
2	200556002	Huni Tipi Oluk (Ø200mm) Üst Sac	Discharge Funnel Chute (Ø200mm) Upper Sheet
3	200556003	Huni Tipi Oluk (Ø200x3,5mm) Boru L=150mm	Discharge Funnel Chute (Ø200x3,5mm) Pipe L=150mm
4	200556004	Huni Tipi Oluk (Ø200mm) Ø12 Dolu Demir-Çıkış	Discharge Funnel Chute (Ø200mm) Ø12 Iron Output Ring
5	200556005	Huni Tipi Oluk (Ø200mm) Ø12 Dolu Demir-Giriş	Discharge Funnel Chute (Ø200mm) Ø12 Iron Input Ring
6	100060008	Kanca Oluk	Clamp Ring
7	200556006	Huni Tipi Oluk Alt Laması	Discharge Funnel Chute Base Plate



	TR	EN
CODE	AÇIKLAMA	EXPLANATION
300600001	Ekolojik Kapak	Ecological Cover

	TR	EN	
#	CODE	AÇIKLAMA	EXPLANATION
1	200602006	Ekolojik Kapak Gövde Mili	Ecological Cover Body Shaft
2	200600014	Ekolojik Kapak Fiberi	Ecological Cover Fiber
3	200602008	Ekolojik Kapak B3 Bağlantı Kulak (Sol)	Ecological Cover B3 Connection (Left)
4	200602007	Ekolojik Kapak B3 Bağlantı Kulak (Sağ)	Ecological Cover B3 Connection (Right)
5	200602005	Ekolojik Kapak Gövde	Ecological Cover Body
6	100150024	Galvaniz Cıvata DIN933 M12X30 (8.8)	Galvanized Bolt DIN933 M12X30 (8.8)
7	100150066	Galvaniz Pul DIN125 M12	Galvanized Washer DIN125 M12
8	100150079	Fiberli Somun DIN985 M12	Fibered Nut DIN985 M12
9	200600010	Ekolojik Kapak Conta	Ecological Cover Gasket
10	200600009	Ekolojik Kapak Köşebent	Ecological Cover Brace
11	100150065	Pul DIN125 M10	Washer DIN125 M10
12	100150018	Galvaniz Cıvata DIN933 M10X30 (8.8)	Galvanized Bolt DIN933 M10X30 (8.8)

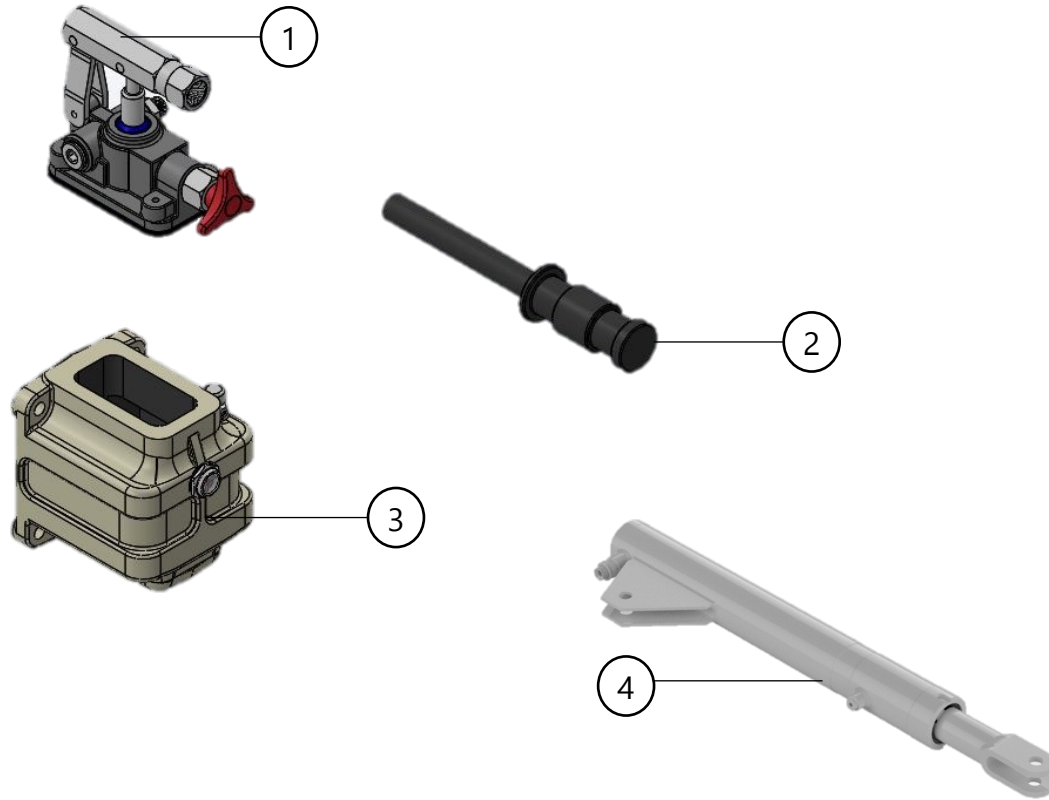




## ÜRÜN AÇIKLAMASI EXPLANATION

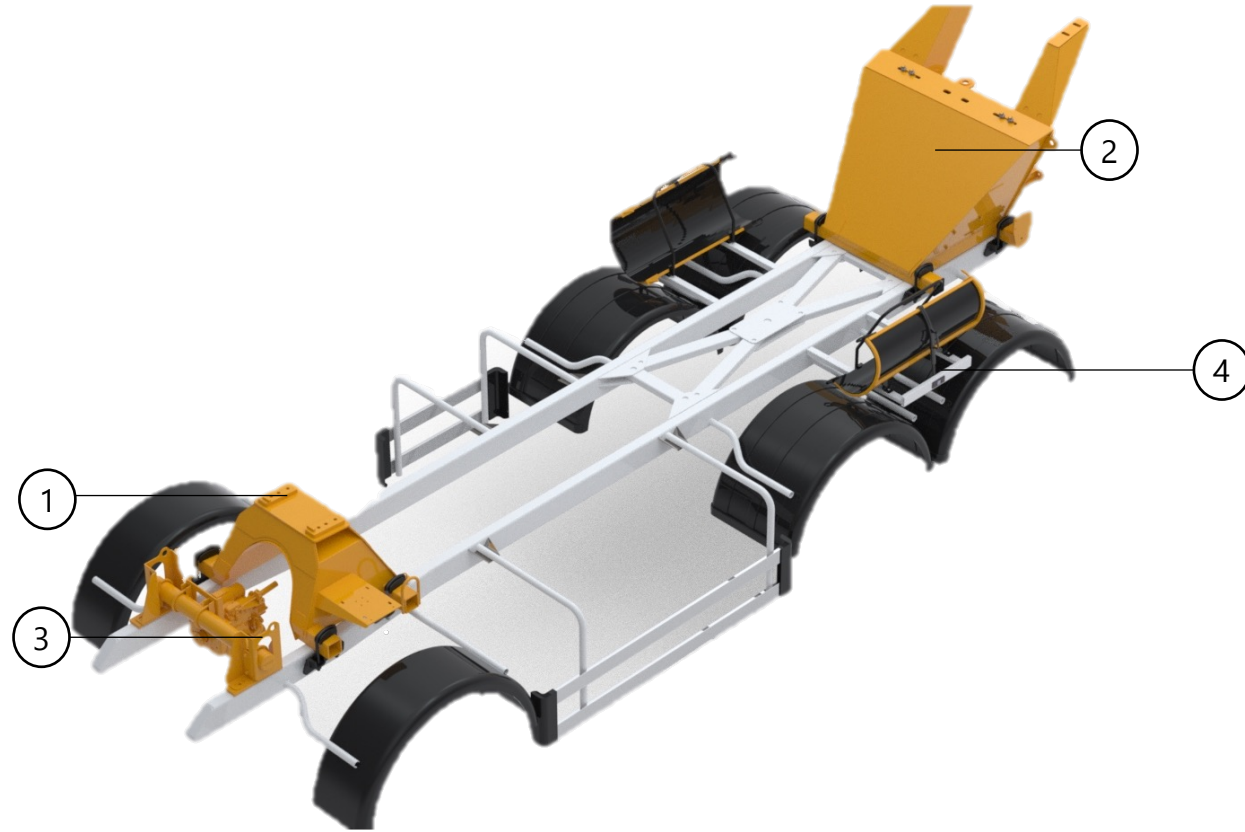


CODE	TR AÇIKLAMA	EN EXPLANATION
100140022	Mekanik Kriko	Mechanical Jack

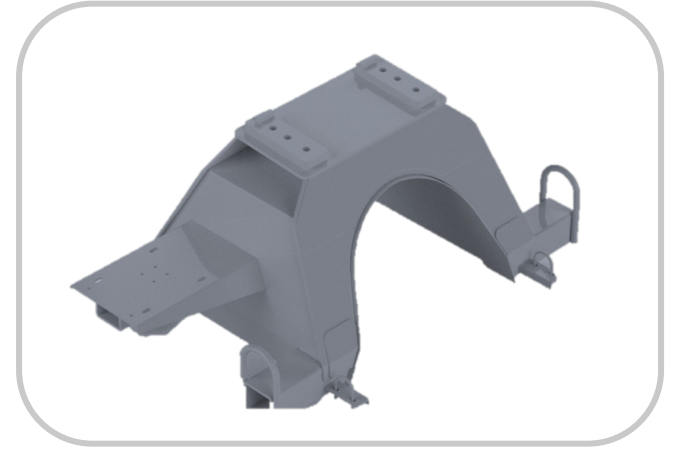
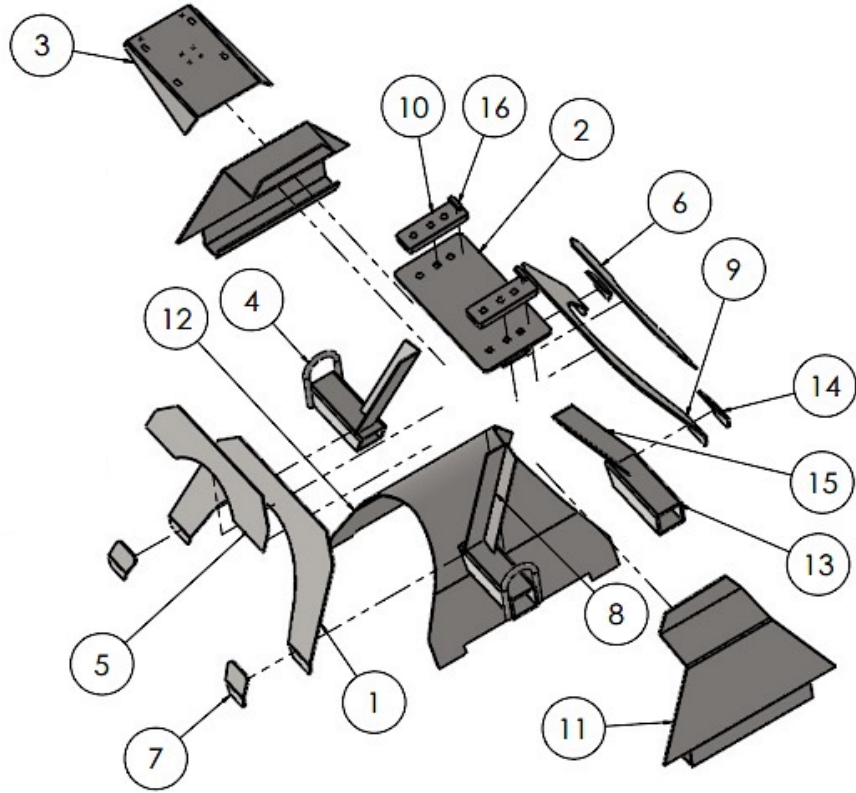


	TR	EN
CODE	AÇIKLAMA	EXPLANATION
400200079	Hidrolik Kriko	Hydraulic Jack

	TR	EN	
#	CODE	AÇIKLAMA	EXPLANATION
1	100090059	Kriko Üst Gövde (Tek Tesirli)	Hydraulic Jack Upper Body (Single Lap)
2	100090074	Kriko Üst Gövde Kolu	Hydraulic Jack Upper Body Lever
3	100090063	Kriko Deposu Alüminyum 1Lt.	Hydraulic Jack Storage 1 Lt.
4	100090064	Döner Oluk Pistonu ( Tek Tesirli)	Distribution Chute Piston (Single Lap)



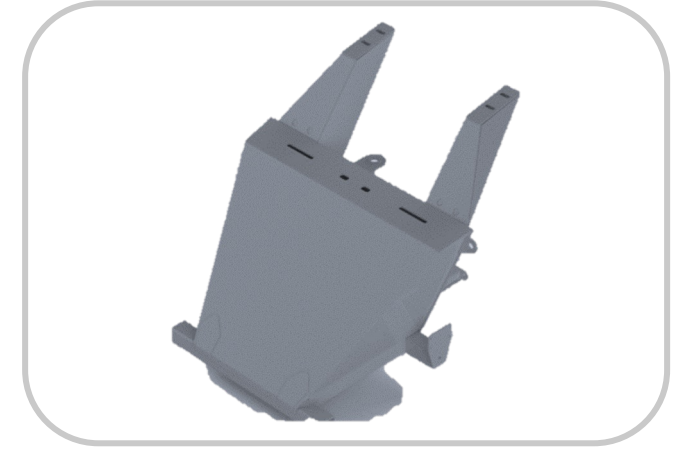
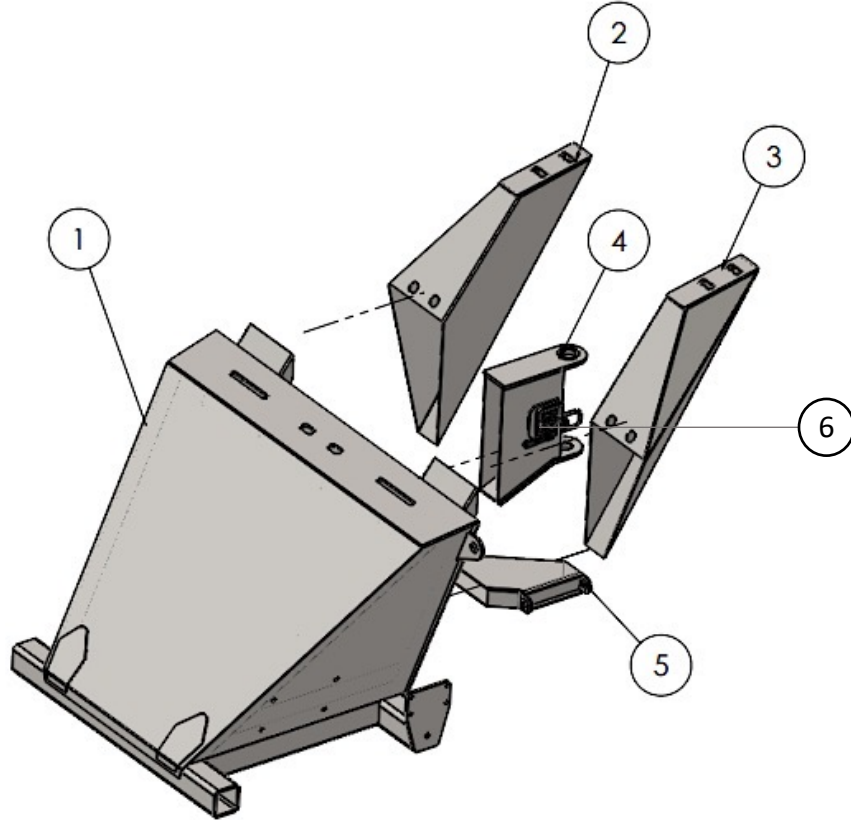
# 1-ÖN DESTEK FRONT SUPPORT



TR		EN
CODE	AÇIKLAMA	EXPLANATION
300150019	Ön Konsol	Front Support

TR		EN	
#	CODE	AÇIKLAMA	EXPLANATION
1	200169001	Ön Konsol Ön Sac	Front Support Front Sheet
2	200158007	Ön Konsol Redüktör Tablası	Front Support Gearbox Panel
3	200159004	Ön Konsol Soğutucu Sacı	Front Support Condenser Sheet
4	100060012	Ön Konsol 18x100x170 U	Front Support 18x100x170 U
5	200162003	Ön Konsol Ön Takviye	Front Support Front Reinforcement
6	200162004	Ön Konsol Arka Takviye	Front Support Rear Reinforcement
7	200158005	Ön Konsol Profil Takviye	Front Support Profile Reinforcement
8	200169004	Ön Konsol İç Destek Köşe Bendi	Front Support Internal Brace
9	200162001	Ön Konsol Arka Sac	Front Support Rear Sheet
10	200158011	25mm Redüktör Laması (L=230 mm)	25mm Gearbox Plate (L=230mm)
11	200169003	Ön Konsol Sol Sac	Front Support Sheet (Left)
12	200158008	Ön Konsol Kapama Sacı	Front Support Cover Sheet
13	200158004	Ön Konsol Profili 100x100 (L=295 mm)	Front Support Profile 100x100 (L=295 mm)
14	200158014	Ön Konsol Profil Takviye (Sol)	Front Support Profile Reinforcement (Left)
15	200169005	Ön Konsol İç Destek Köşebenti (Sol)	Front Support Internal Brace (Left)
16	200158017	Ön Konsol Redüktör Sabitleme Laması	Front Support Gearbox Fixing Plate
17	200169002	Ön Konsol Sağ Sac	Front Support Sheet (Right)

## 2-ARKA DESTEK REAR SUPPORT

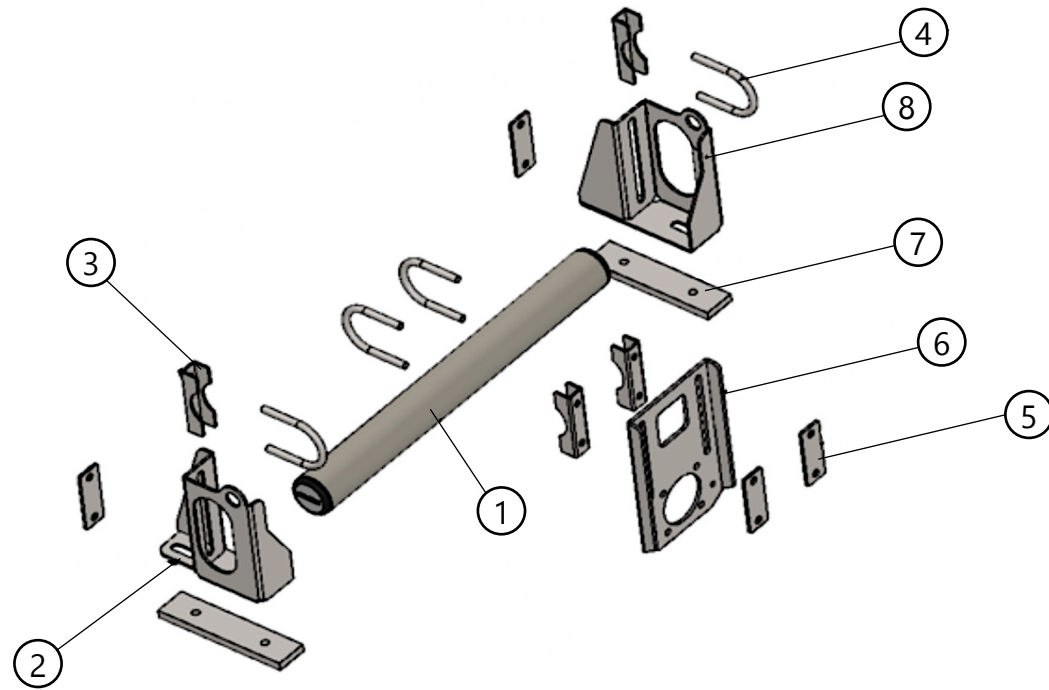


	TR	EN
CODE	AÇIKLAMA	EXPLANATION
300200028	Arka Konsol	Rear Support

	TR	EN	
#	CODE	AÇIKLAMA	EXPLANATION
1	300200027	Beta Arka Konsol Alt Kısım	Beta Rear Support Base
2	300220004	Beta Arka Konsol Kol (Sol)	Beta Rear Support Lever (Left)
3	300220003	Beta Arka Konsol Kol (Sağ)	Beta Rear Support Lever (Right)
4	300820002	Beta Arka Konsol Mekanizma Bağlantı Ayağı	Beta Rear Support Mechanism Connection Leg
5	300410005	Merdiven Konsol	Ladder Console
6	100060021	Kukamet 341-5 L (Logolu)	Clamp 341-5 L (With Logo)



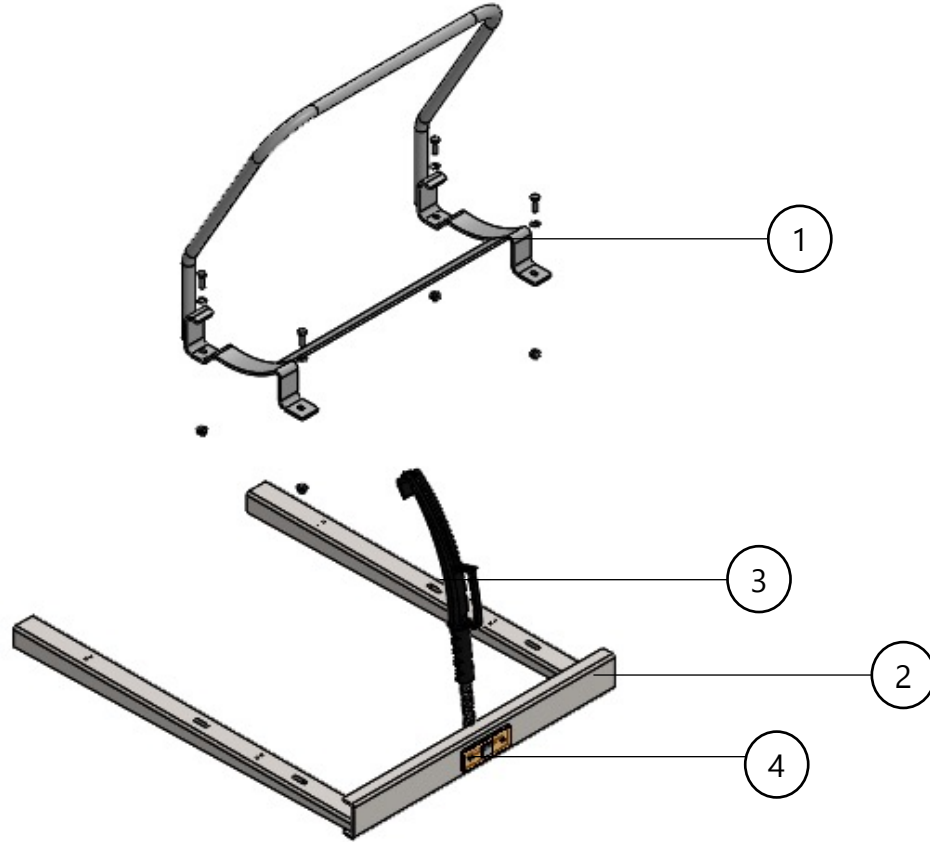
### 3-POMPA KONSOLU PUMP SUPPORT



	TR	EN
	AÇIKLAMA	EXPLANATION
300890003	Pompa Konsolu	Pump Support

	TR	EN	
#	CODE	AÇIKLAMA	EXPLANATION
1	200893002	Pompa Bağlantı Borusu (Ø105x5)	Pump Connection Pipe (Ø105x5)
2	200893007	Beta Pompa Konsolu Sol Ayak Sacı	Beta Pump Support Left Leg Sheet
3	200893008	Beta Pompa Konsolu Boru Sabitleme Sacı	Beta Pump Support Pipe Fixing Sheet
4	100060014	Beta Pompa Konsolu Boru U Bağlantı	Beta Pump Support Pipe U Connection
5	200893009	Pompa Konsolu U Bağlantı Pul Takviye Sacı	Pump Support U Connection Washer Reinforcement Sheet
6	200893003	Pompa Bağlantı Sacı (Uzun)	Pump Connection Sheet (Long)
7	200893006	Beta Pompa Konsolu Ayak Bağlantı Laması	Beta Pump Support Base Connection Plate
8	200893001	Beta Pompa Konsolu Sağ Ayak Sacı	Beta Pump Support Base Sheet (Right)

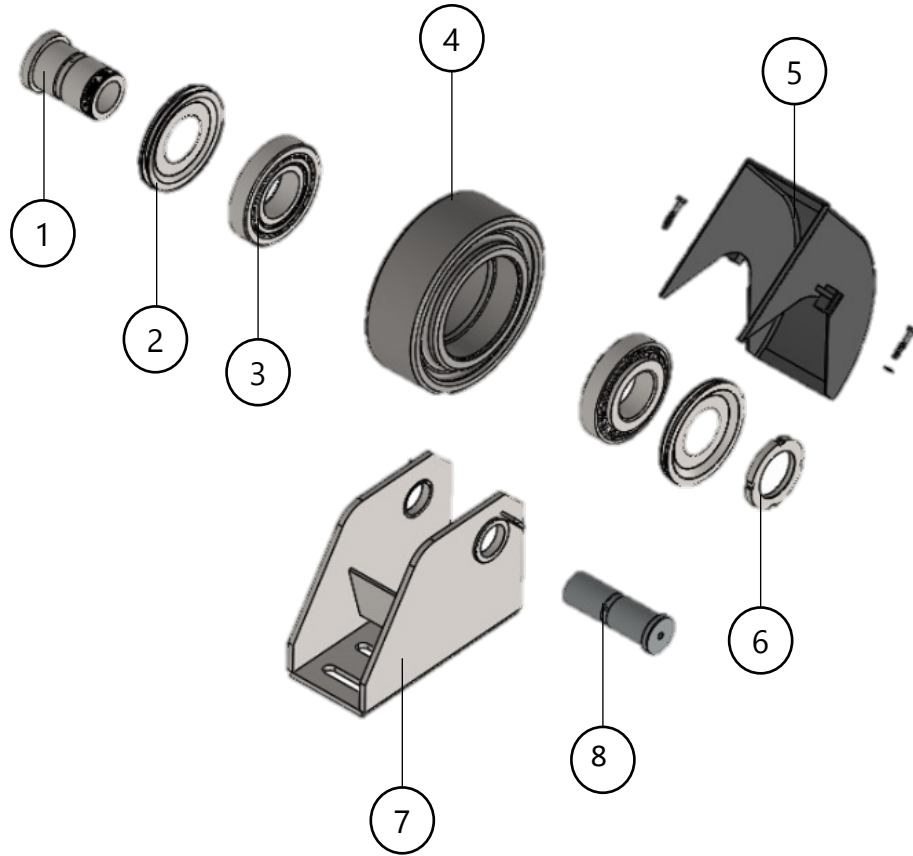
## 4-İLAVE OLUK KONSOLU EXTENSION CHUTE SUPPORT



	TR	EN
	CODE	EXPLANATION
	400200161	İlave Oluk Konsolu Extension Chute Support

	TR	EN	
#	CODE	AÇIKLAMA	EXPLANATION
1	300880002	Beta İlave Oluk Konsolu	Beta Extension Chute Support
2	300880005	Beta İlave Oluk Alt Konsolu	Beta Extension Chute Base Support
3	100130022	İlave Oluk Gergi Yayı	Extension Chute Tension String
4	100070044	Lamba Arkası Kapalı SA-BA Ledli Yan 24 V	Back-Covered LED SA-BA 24 V

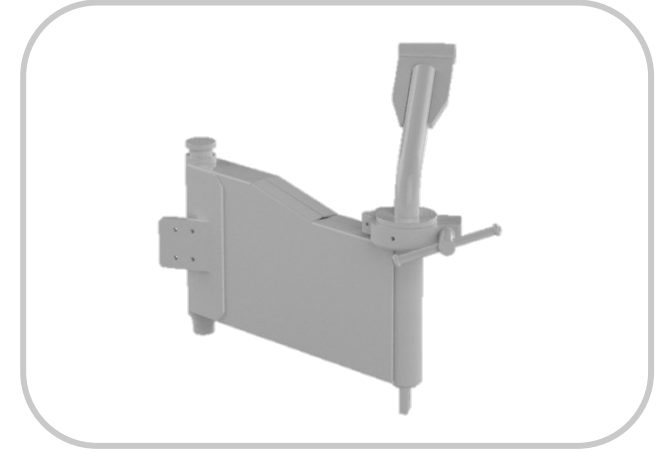
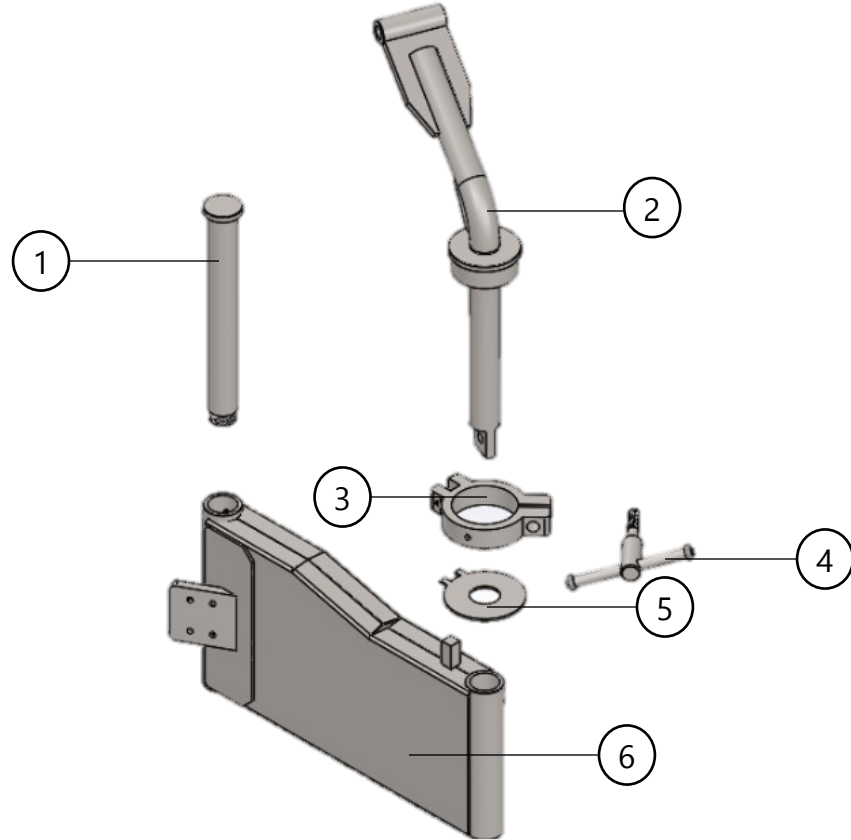
# MAKARA MEKANİZMASI ROLLER MECHANISM



TR		EN
CODE	AÇIKLAMA	EXPLANATION
	Makara Mekanizması	Roller Mechanism

TR		EN	
#	CODE	AÇIKLAMA	EXPLANATION
1	20523003	Beta 280x160 Makara Kovanı	Beta 280x160 Roller Case
2	20523001	Beta Makara Toz Kapağı	Beta Roller Dust Cover
3	100020002	Rulman 30315	Bearing 30315
4	100200005	Makara 280x160	Roller 280x160
5	100130020	Makara Kapağı	Roller Cover
6	20523004	Beta 280x160 Makara Kovan Somunu	Beta 280x160 Roller Case Nut
7	300500011	Beta 280x160 Makara Desteği	Beta 280x160 Roller Support
8	200900004	Makara Mili $\varnothing$ 50	Roller Shaft $\varnothing$ 50

## DÖNER OLUK MEKANİZMASI DISCHARGE CHUTE MECHANISIM

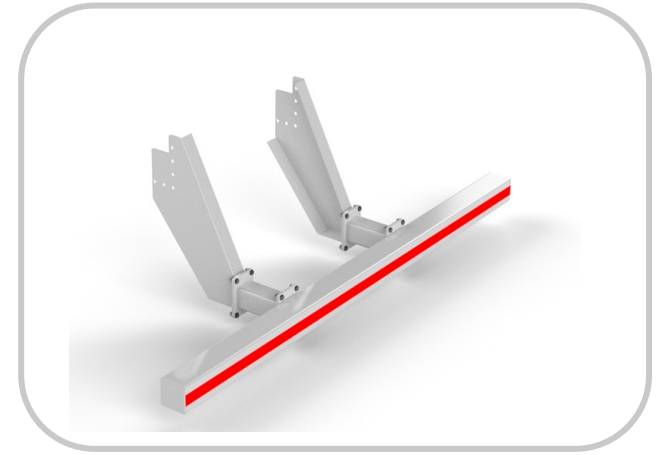
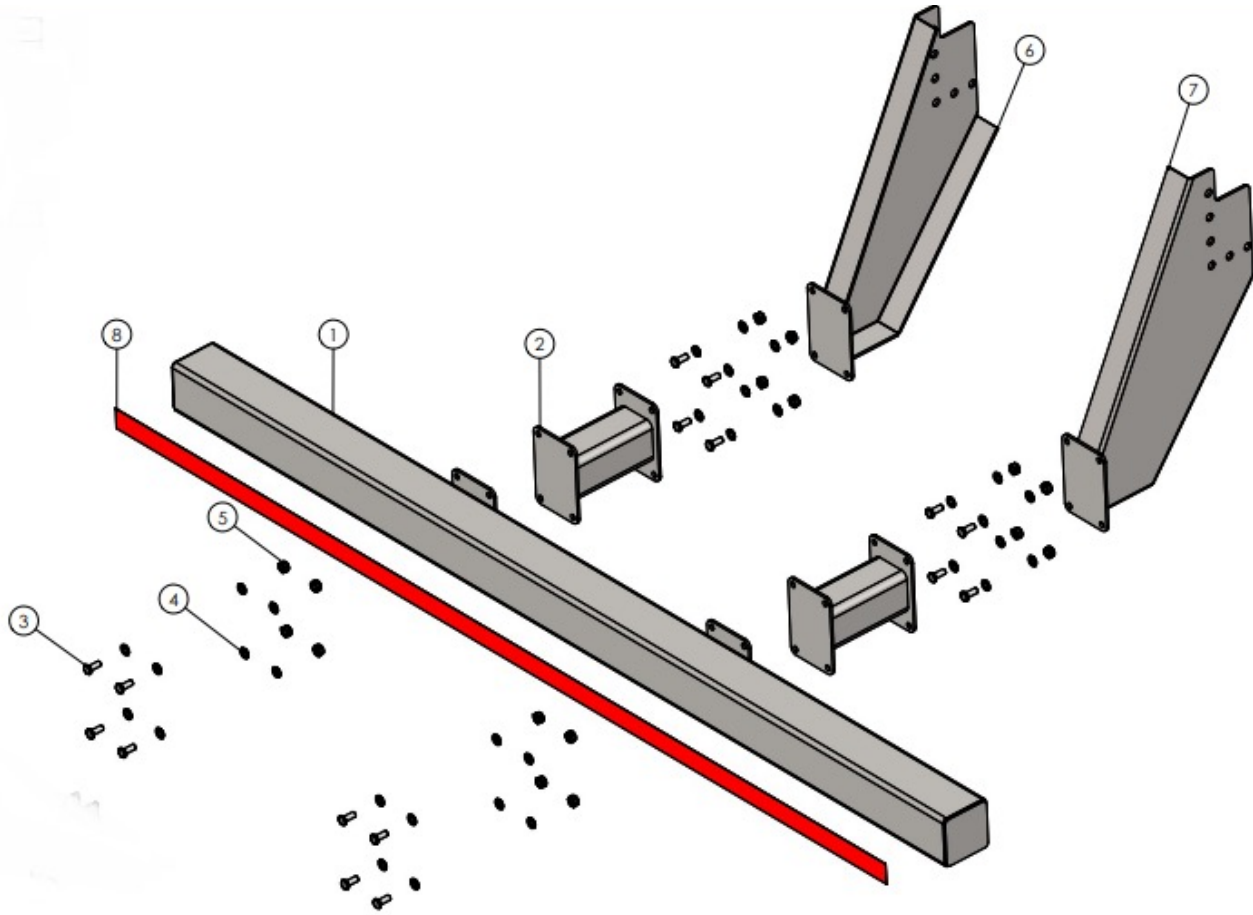


	TR	EN
CODE	AÇIKLAMA	EXPLANATION
300350003	Döner Oluk Mekanizması	Discharge Chute Mechanism

	TR	EN	
#	CODE	AÇIKLAMA	EXPLANATION
1	200900021	Mekanizma Bağlantı Mili	Mechanism Connection Mill
2	300810002	Beta Deveboynu	Beta Mechanism
3	200900019	Mekanizma Kelepçe Borusu	Mechanism Clamp Pipe
4	200900078	Boşaltma Oluğu Sıkma Kolu	Discharge Chute Camp Lever
5	200900020	Mekanizma Kelepçe Altı Sacı	Mechanism Clamp Base Sheet
6	300800002	Beta Mekanizma Kaynaklı Kol	Beta Mechanism Welded Lever

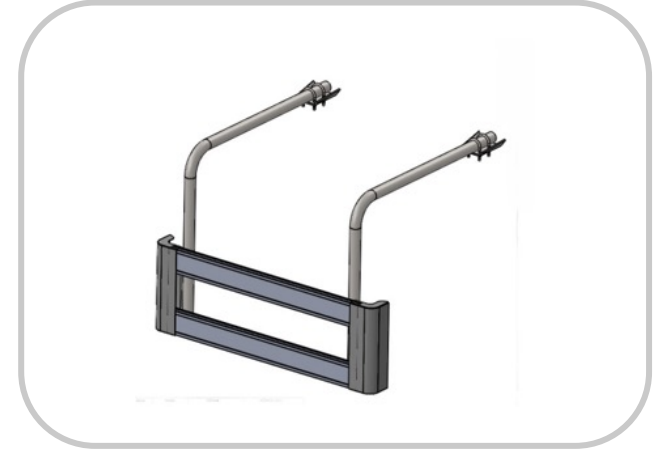
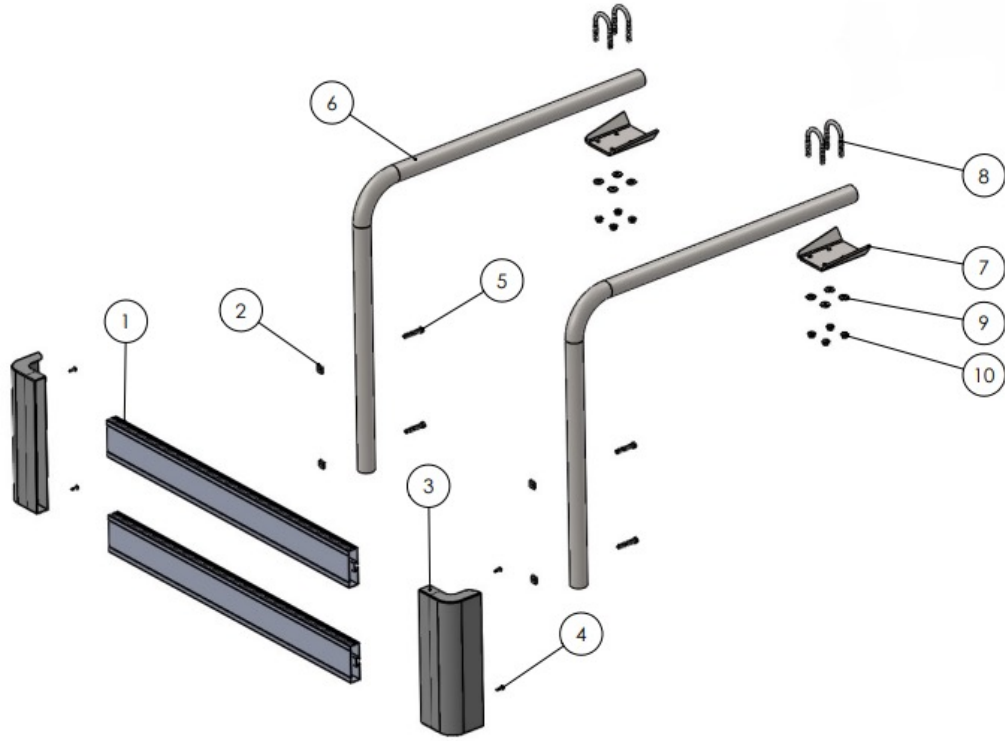


# TAMPON BAR BUMPER BAR



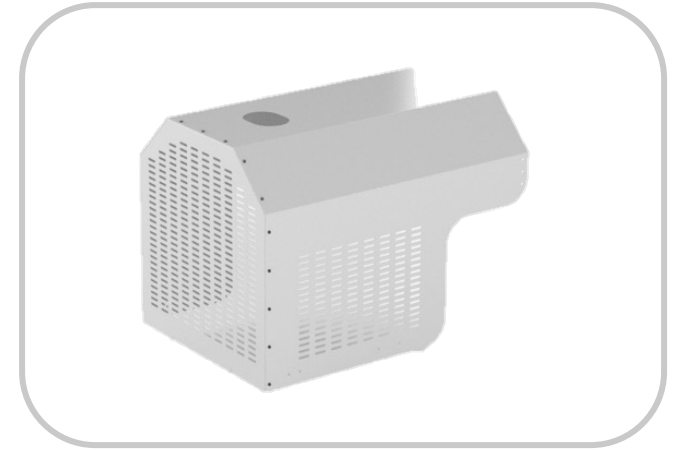
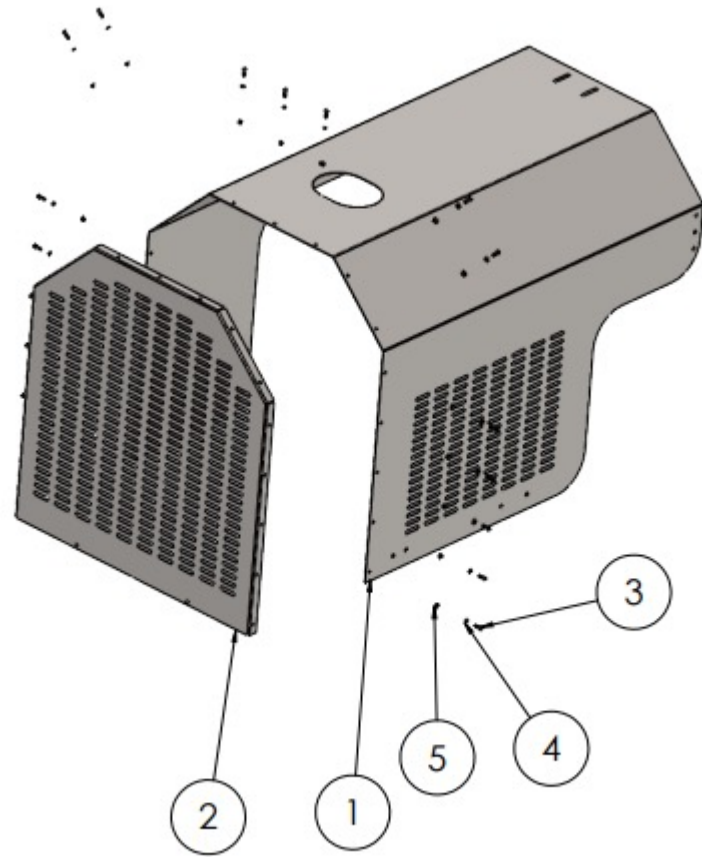
	TR	EN
CODE	AÇIKLAMA	EXPLANATION
300270001	Tampon Barı	Bumper Bar

	TR	EN	
#	CODE	AÇIKLAMA	EXPLANATION
1	200271008	Tampon Profili	Bumper Profile
2	200271006	Tampon Ara Profil	Bumper Intermediate Profile
3	100150024	Galvaniz Cıvata DIN933 M12X30 (8.8)	Galvanized Bolt DIN933 M12X30 (8.8)
4	100150066	Galvaniz Pul DIN125 M12	Galvanized Washer DIN125 M12
5	100150079	Fiberli Galvaniz Somun DIN985 M12 (8)	Fibered Galvanized Nut DIN985 M12 (8)
6	200271001	Tampon Ayağı (Sağ)	Bumper Leg (Right)
7	100271004	Tampon Ayağı (Sol)	Bumper Leg (Left)
8	200271011	Tampon Barı Reflektör	Bumper Bar Reflector



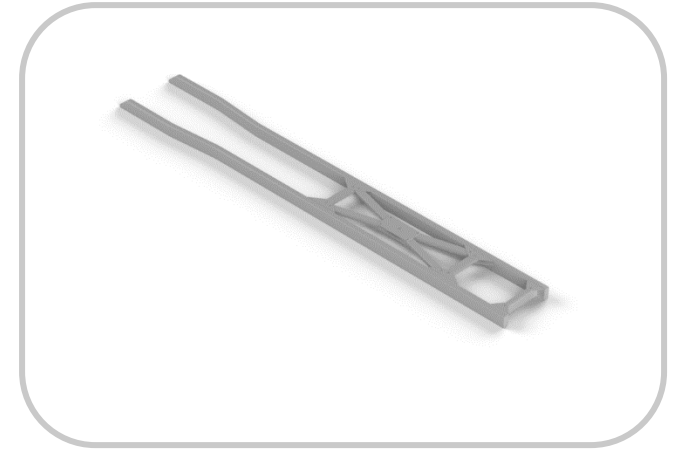
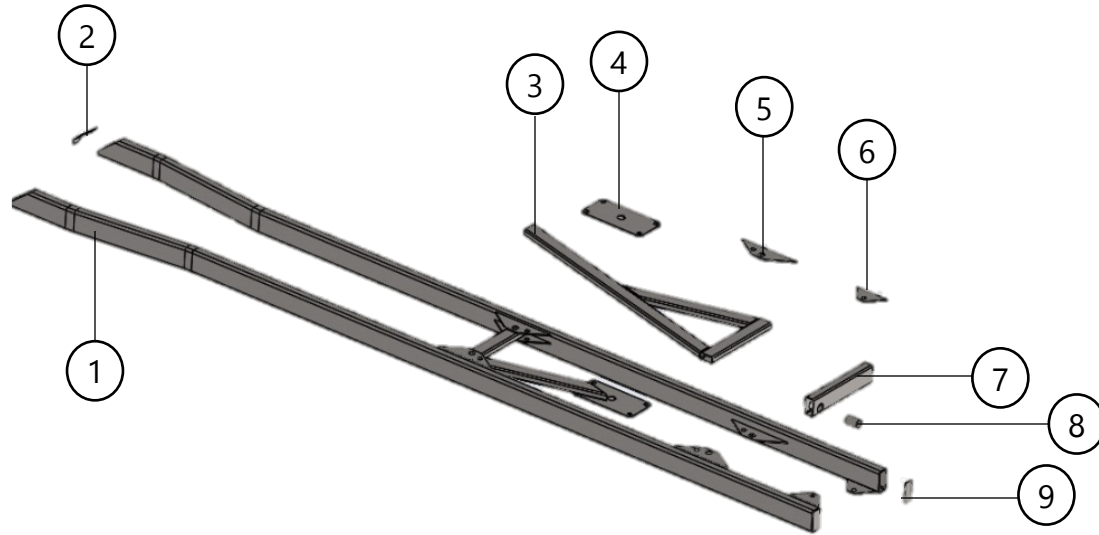
	TR	EN
CODE	AÇIKLAMA	EXPLANATION
300950001	Bisiklet Koruma	Bicycle Bar

	TR	EN	
#	CODE	AÇIKLAMA	EXPLANATION
1	200951001	10x20x900mm Alüminyum	10x20x900mm Aluminium
2	100150102	M8 Kare Somun	M8 Square Nut
3	100130059	Çiftli Oval Bisiklet Koruma Başlık (Plastik)	Doubled Elliptic Bicycle Bar Cap (Plastic)
4	100150116	Matkap Uçlu Flanşlı Vida 4.2 x 19	Self-Drilling Flanged Screw
5	100150014	DIN 933 M8X50 (8.8) Galvaniz	DIN 933 M8X50 (8.8) Galvanized
6	200951002	Bisiklet Koruma Destek Borusu	Bicycle Bar Support Pipe
7	200951003	Bisiklet Koruma L Boru Sacı	Bicycle Bar L Pipe Sheet
8	100150107	M8 L:80 U Cıvata Galvaniz	M8 L:80 U Bolt Galvanized
9	100150074	Galvaniz Pul $\varnothing 22 \times \varnothing 8.4 \times 2.3$ mm	Galvanized Washer $\varnothing 22 \times \varnothing 8.4 \times 2.3$ mm
10	100150091	DIN6923 M8 Flanşlı Somun (8) Galvaniz	DIN6923 M8 Flanged Nut (8) Galvanized



	TR	EN
CODE	AÇIKLAMA	EXPLANATION
300940002	Motor Koruma	Motor Bar

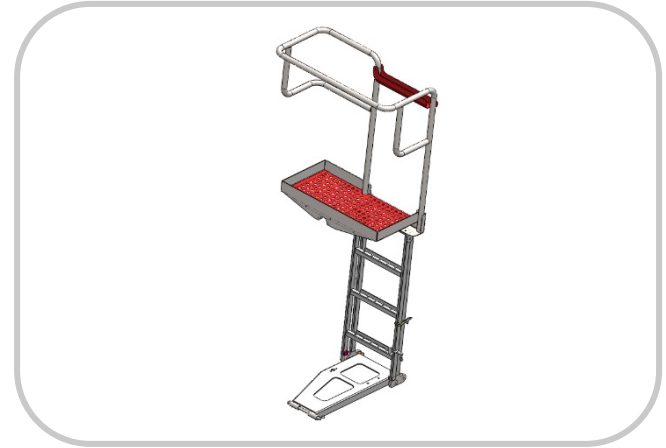
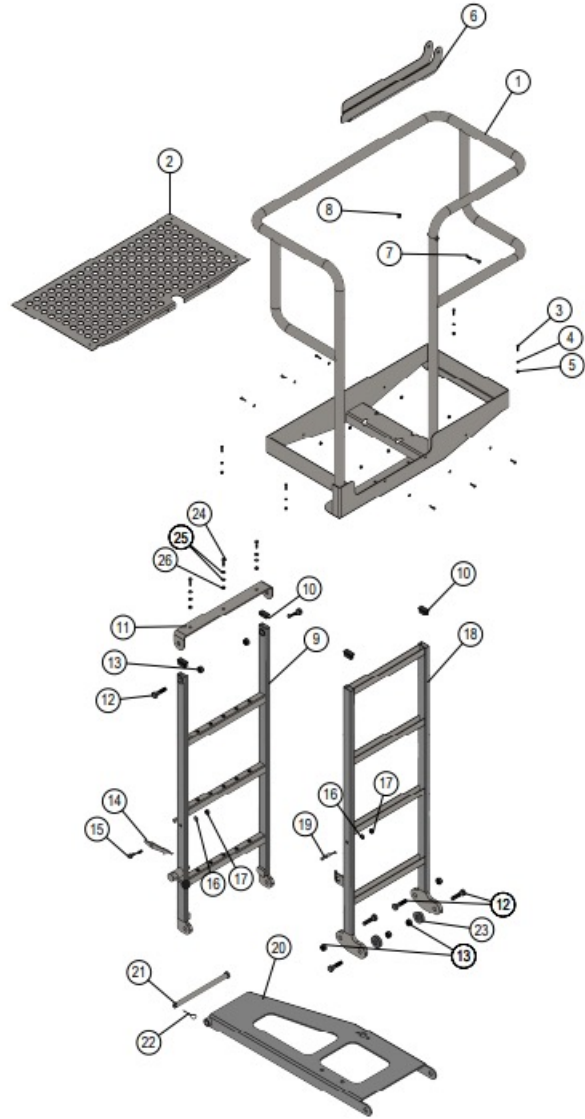
	TR	EN	
#	CODE	AÇIKLAMA	EXPLANATION
1	200942001	Motor Koruma Sacı (6 Silindir Mikseri)	Motor Bar Sheet (6-Cylinder Mixer)
2	200942002	Motor Koruma Sacı Kapağı (6 Silindir Mikser)	Motor Bar Sheet Cover (6-Cylinder Mixer)
3	100150003	Cıvata DIN933 (8.8) M6X20	Bolt DIN933 (8.8) M6X20
4	100150073	Pul DIN125 M6	Washer DIN125 M6
5	100150090	Somun DIN 6923 M6	Nut DIN 6923 M6



	TR	EN
CODE	AÇIKLAMA	EXPLANATION
	Şasi	Chassis

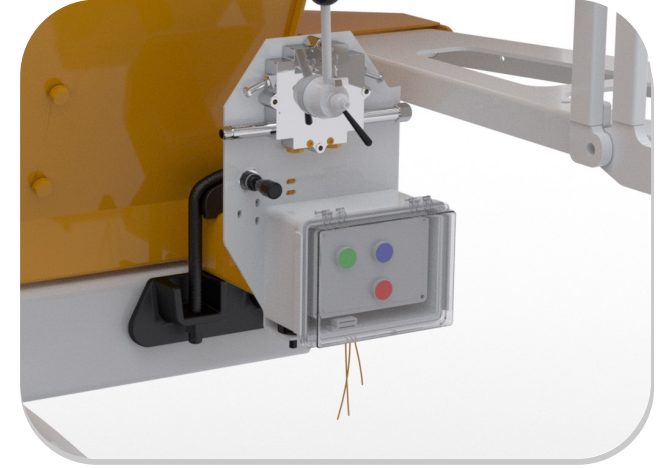
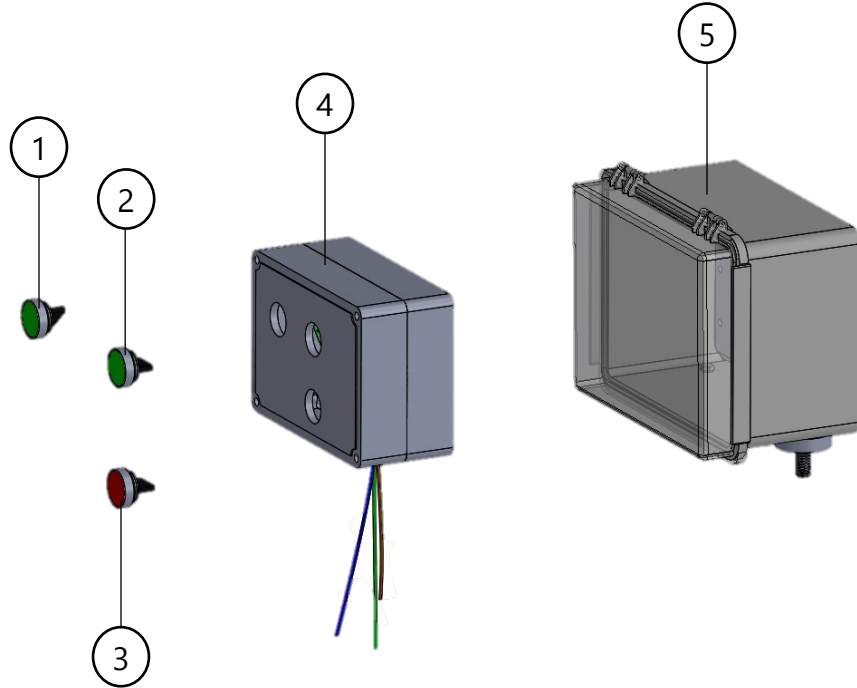
	TR	EN	
#	CODE	AÇIKLAMA	EXPLANATION
1	200455001	Şasi 160x80 Profil	Chassis 160x80 Profile
2	200451021	160x80 Profil Ön Kapak Sacı	160x80 Profile Front Cover Sheet
3	200451002	Şasi 100x50x5 Çapraz Travers	Chassis Cross-Reinforcement 100x50x5
4	200451005	Şasi Çapraz Travers Plakası (Büyük)	Chassis Cross-Reinforcement Plate (Major)
5	200451007	Şasi Üst Plaka	Chassis Upper Plate
6	200451006	Şasi Çapraz Travers Plakası (Küçük)	Chassis Cross-Reinforcement Plate (Minor)
7	200451017	Şasi Arka Destek Sacı	Chassis Rear Support Sheet
8	200451019	Şasi Su Tesisat Merkezleme Borusu	Chassis Water Installation Centering Pipe
9	200451020	160x80 Profil Kapak Sacı	160x80 Profile Cover Sheet
10	200451003	Şasi 100x50x5 Çapraz Travers (Kısa)	Chassis Cross-Reinforcement (Short)
11	200451004	100x50x5 L=600 mm	100x50x5 L=600 mm





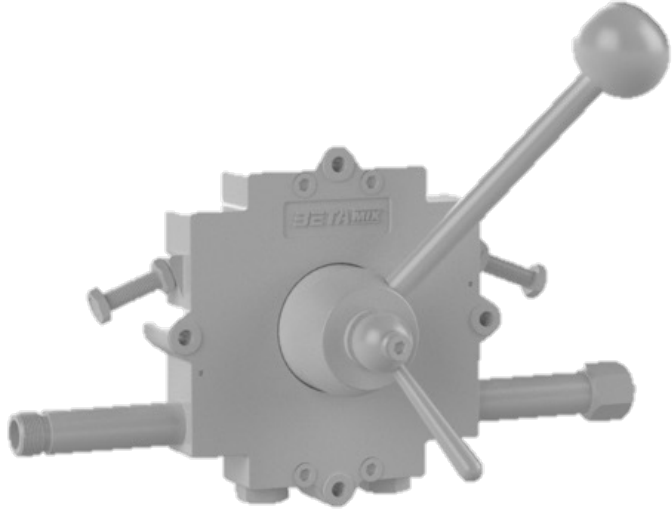
		TR	EN
		AÇIKLAMA	EXPLANATION
		300400003	Merdiven
			Ladder
#	CODE	AÇIKLAMA	EXPLANATION
1	200403040	Merdiven Üst Platform	Ladder Upper Platform
2	200403003	Merdiven Üst Platform Taban Sacı	Ladder Upper Platform Base Sheet
3	100150003	Cıvata DIN 931 (8.8) M6X20	Bolt DIN 931 (8.8) M6X20
4	100150073	Pul DIN125 M6	Washer DIN125 M6
5	100150090	Somun DIN 6923 M6 (8.8)	Nut DIN 6923 M6 (8.8)
6	200403029	Beta Merdiven Korkuluk	Beta Ladder Scarecrow
7	100150015	Cıvata M8 L=60 (8.8) Galvaniz (Yarım Dış)	Bolt M8 L=60 (8.8) Galvanized (Half-External)
8	100150089	Fiberli Somun M8	Fibered Nut M8
9	200403039	Merdiven Üst Parça Kısmı	Ladder Upper Part
10	100130016	Merdiven Profil Tapası	Ladder Profile Plug
11	200403028	Merdiven Üst Platform Alt Bağlantı Sacı	Ladder Upper Platform Base Connection Sheet
12	100150028	Cıvata DIN933 M14X50 (8.8)	Bolt DIN933 M14X50 (8.8)
13	100150083	Somun DIN985 M14 Fiberli	Fibered Nut DIN985 M14
14	200403021	Merdiven Kilit Kancası	Ladder Lock Clamp
15	100150020	Cıvata Galvaniz M10x55 (8.8)	Galvanized Bolt M10x55 (8.8)
16	100150065	Washer DIN125 M10	Pul DIN125 M10
17	100150082	Fiberli Somun DIN985 M10	Fibered Nut DIN985 M10
18	200403038	Merdiven Alt Kısmı	Ladder Base Part
19	200403034	Kilit Kanca Pimi	Lock Clamp Pin
20	200403037	Hareketli Merdiven Konsolu	Mobile Ladder Support
21	200403032	Merdiven Bağlantı Pimi	Ladder Connection Pin
22	100150112	Kupilya Ø4XL 50 Galvaniz	Galvanized Joiner Pin Ø4XL 50
23	200403025	Pul Ø45 L:12.5	Washer Ø45 L:12.5
24	100150012	DIN 931 M8 L:25 mm (8.8) Galvaniz	DIN 931 M8 L:25 mm (8.8) Galvanized
25	100150072	Galvaniz Pul M8	Galvanized Washer M8
26	100150123	Galvaniz Somun DIN 934 M8	Galvanized Nut DIN 934 M8

## ÜÇ BUTONLU KONTROL KUTUSU THREE-BUTTON CONTROL PANEL

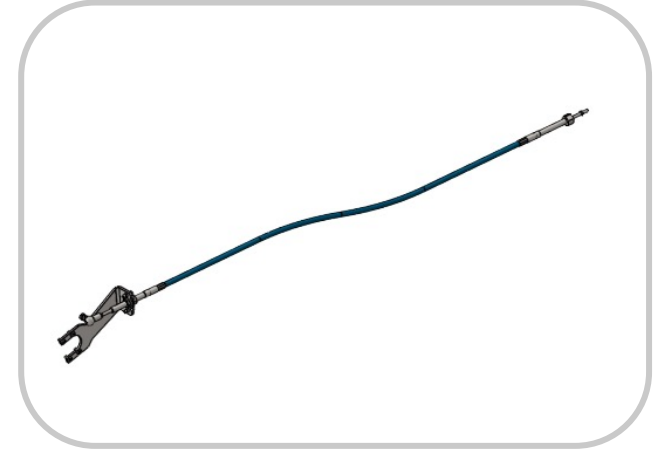


	TR	EN
CODE	AÇIKLAMA	EXPLANATION
40020086	3-Butonlu Kontrol Kutusu	3-Buttons Control Box
40020087	5-Butonlu Kontrol Kutusu	5-Buttons Control Box

	TR	EN	
#	CODE	AÇIKLAMA	EXPLANATION
1	100070054	Emas B100fy Kalıcı Buton	Emas B100fy Perminant Button
2	100070011	Buton Start-Stop Yeşil (xb4ba31)	Start-Stop Button (Green)
3	100070010	Buton Start-Stop Kırmızı (xb4ba42)	Start-Stop Button (Red)
4	100070097	Plastik Contalı Malzeme Kutusu (Se-238-0-0-d-0)	Plastic Sealed Material Box
5	100070056	Plastik Cihaz Panosu Şeffaf Kapaklı (EC-1722 IP 65)	Plastic Device Panel



	TR	EN
CODE	AÇIKLAMA	EXPLANATION
100140017	Tekli Kumanda Kutusu	Single Lever Control

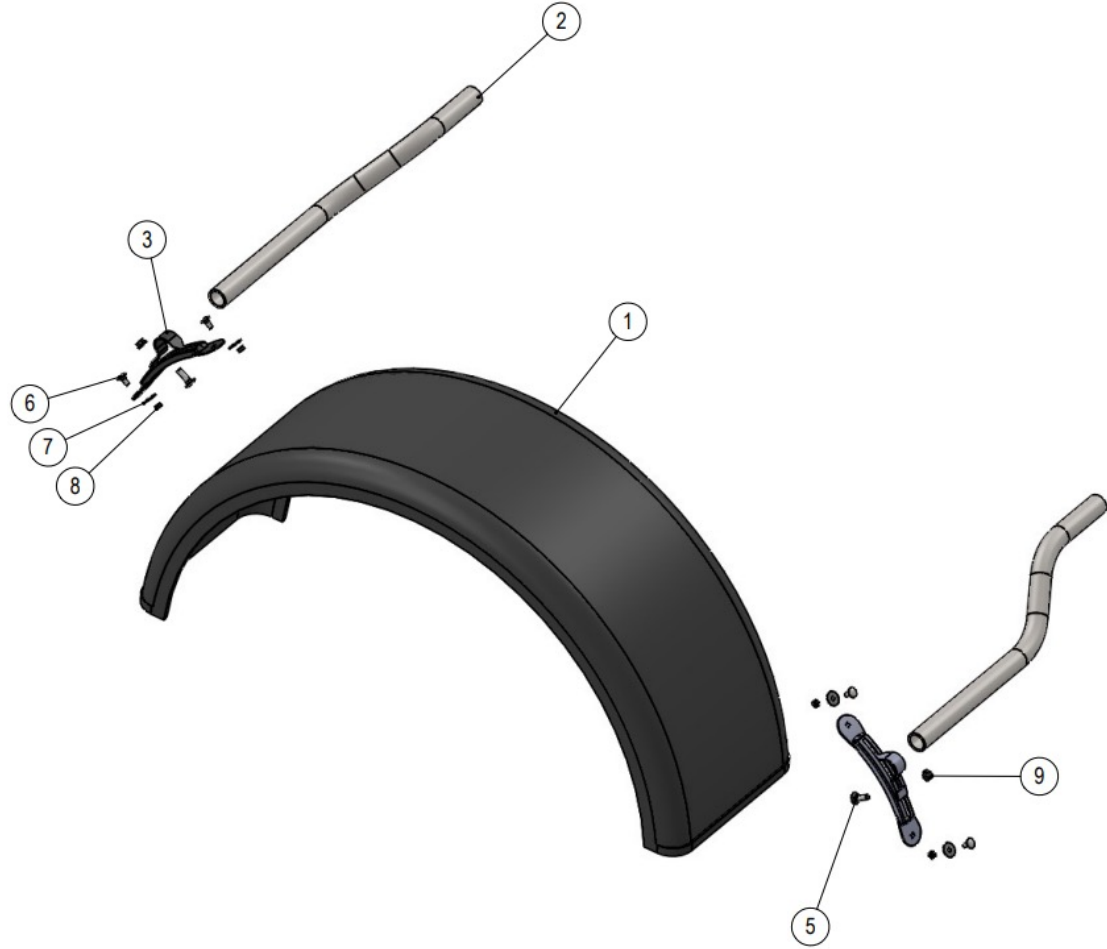


TR		EN
CODE	AÇIKLAMA	EXPLANATION
100140001	Spiral Mikser 4908 mm.	Spiral Mixer 4908 mm.
100140002	Spiral Mikser 5108 mm.	Spiral Mixer 5108 mm.
100140003	Spiral Mikser 5676 mm.	Spiral Mixer 5676 mm.
100140004	Spiral Mikser 5908 mm.	Spiral Mixer 5908 mm.
100140005	Spiral Mikser 6308 mm.	Spiral Mixer 6308 mm.
100140006	Spiral Mikser 6676 mm.	Spiral Mixer 6676 mm.
100140007	Spiral Mikser 7108 mm.	Spiral Mixer 7108 mm.
100140008	Spiral Mikser 7608 mm.	Spiral Mixer 7608 mm.
100140009	Spiral Mikser 5500 mm.	Spiral Mixer 5500 mm.
100140010	Spiral Mikser 5750 mm.	Spiral Mixer 5750 mm.
100140011	Spiral Mikser 6000 mm.	Spiral Mixer 6000 mm.
100140012	Spiral Mikser 6250 mm.	Spiral Mixer 6250 mm.
100140013	Spiral Mikser 6500 mm.	Spiral Mixer 6500 mm.
100140014	Spiral Mikser 6750 mm.	Spiral Mixer 6750 mm.
100140015	Spiral Mikser 7000 mm.	Spiral Mixer 7000 mm.
100140016	Spiral Mikser 9500 mm.	Spiral Mixer 9500 mm.

TR		EN	
#	CODE	AÇIKLAMA	EXPLANATION
1	200900071	Spiral Halat Bağlantı Sacı	Meflex Cable Connection Sheet
2	100150121	Cıvata DIN7991 (8.8) M6X12	Bolt DIN 7991 (8.8) M6X12
3	100140011	Spiral Mikser	Spiral Mixer

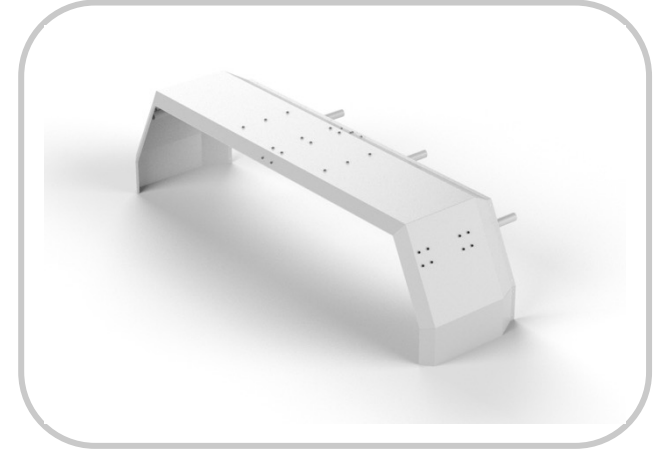
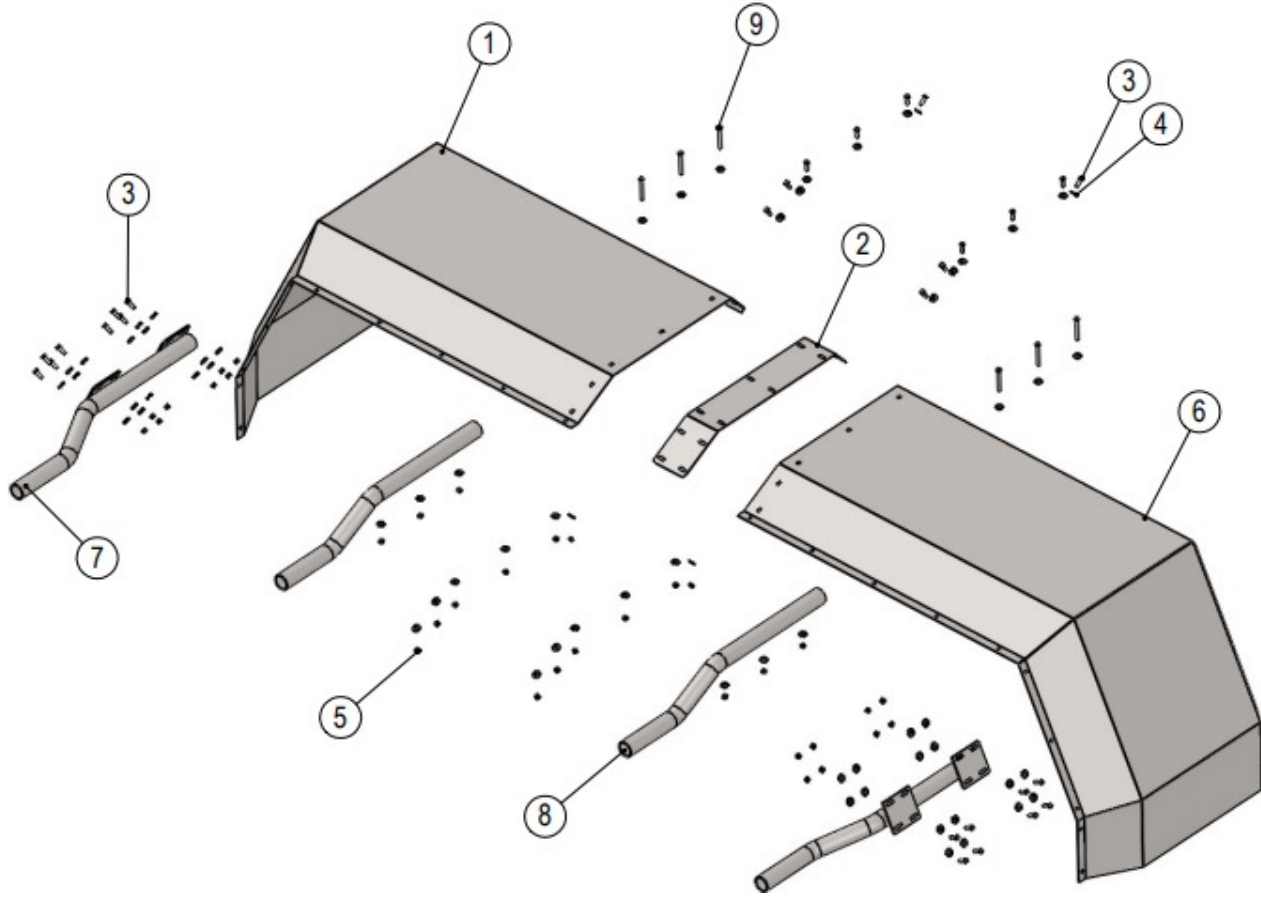


# PLASTİK ÇAMURLUK PLASTIC MUDGUARD



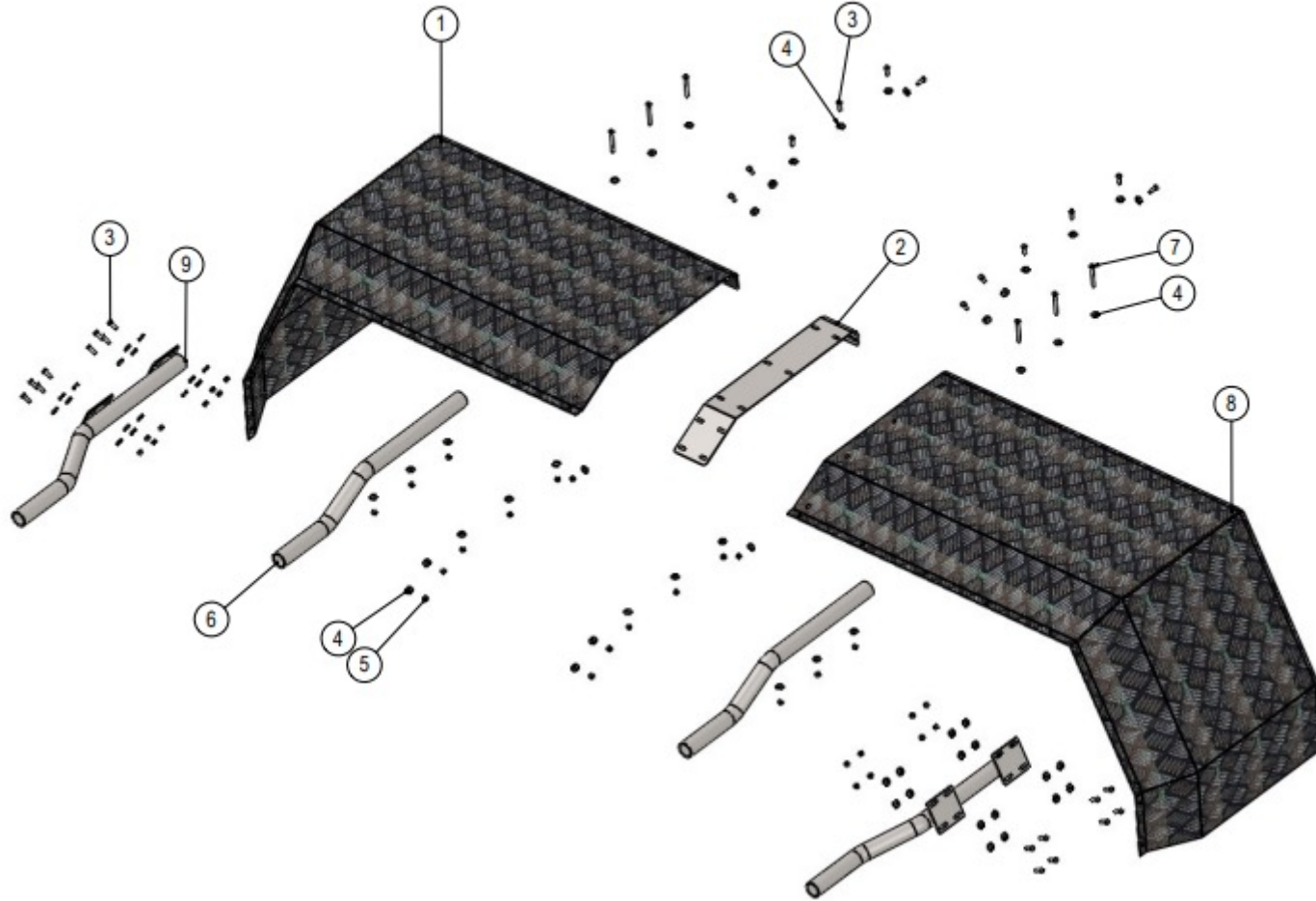
	TR	EN
CODE	AÇIKLAMA	EXPLANATION
300750003	Tek Teker Çamurluk	Single-Disk Plastic Mudguard
300750004	Çift Teker Çamurluk	Double-Disk Plastic Mudguard

	TR	EN	
#	CODE	AÇIKLAMA	EXPLANATION
1	100230002	Plastik Çamurluk Tek Teker	Single Disk Plastic Mudguard
2	200754001	Çamurluk Z Boru Ø42	Mudguard Z Pipe Ø42
3	100230003	Çamurluk Kelepçesi	Mudguard Clamp
4	100150148	Cıvata Galvaniz DIN 603 M8X20 (4.8)	Galvanized Bolt DIN 603 M8X20 (4.8)
5	100150149	Cıvata Galvaniz DIN 603 M8X20 (4.8)	Galvanized Bolt DIN 603 M8X20 (4.8)
6	100150150	Pul Galvaniz DIN 522 Ø 30x8.4x1.5 mm	Galvanized Washer DIN 522 Ø 30x8.4x1.5 mm
7	100150123	Somun Galvaniz DI 934 M8	Galvanized Nut DI 934 M8
8	100150092	Flanşlı Somun DIN 6923 M10 (8) Galvaniz	Flanged Nut DIN 6923 M10 (8) Galvanized



	TR	EN
CODE	AÇIKLAMA	EXPLANATION
300750006	Çelik Çamurluk	Steel Mudguard

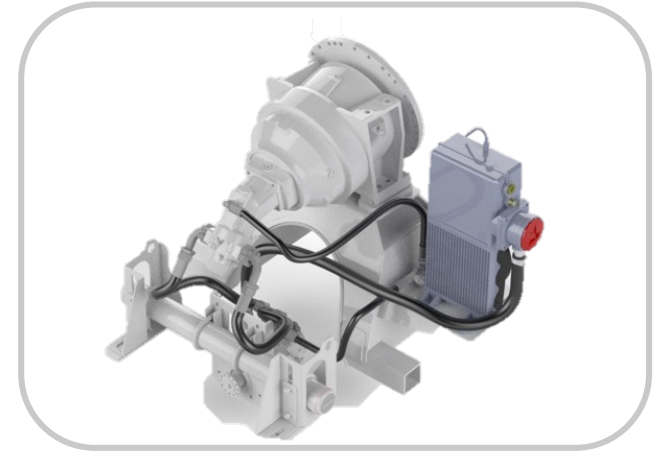
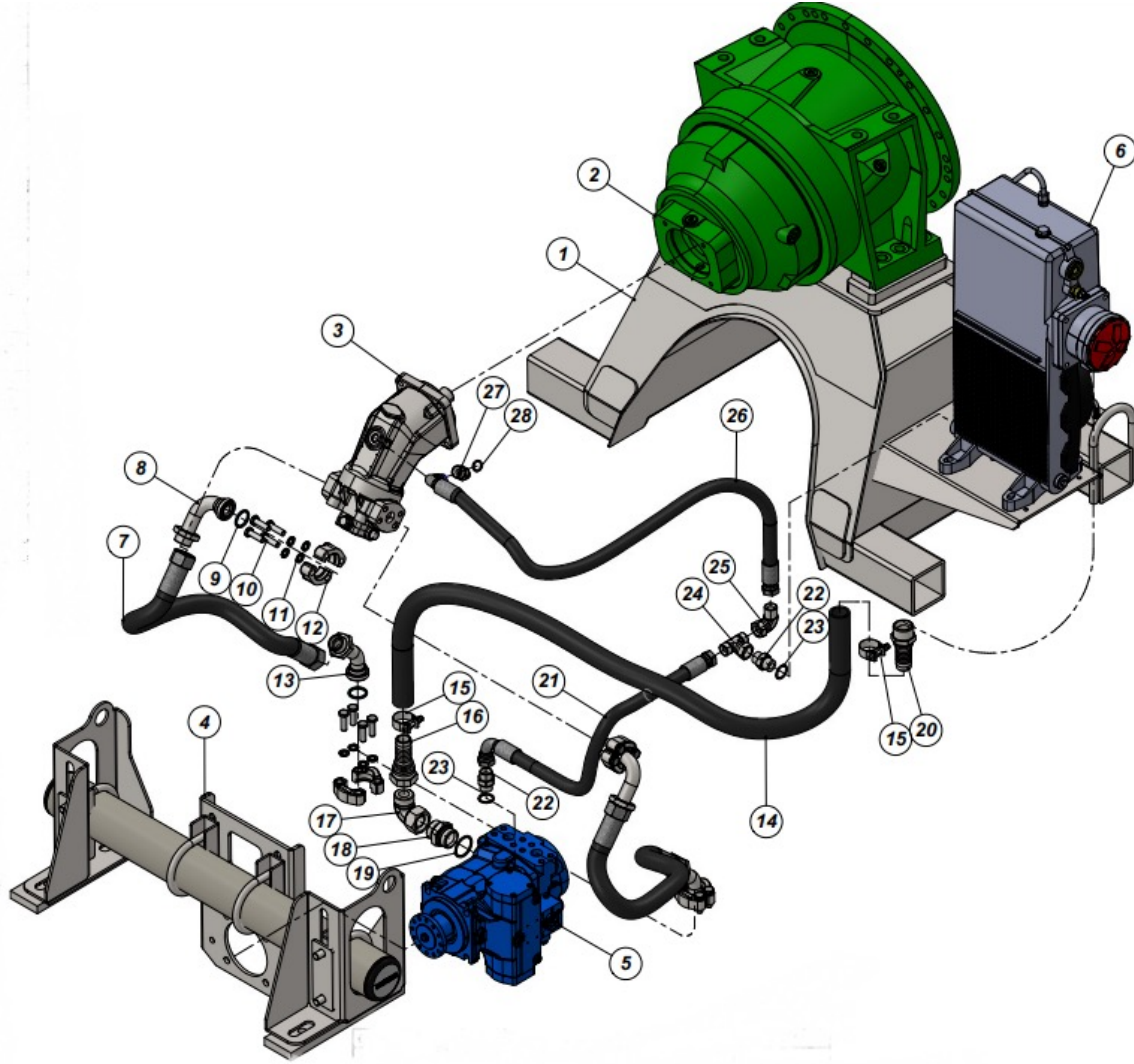
	TR	EN	
#	CODE	AÇIKLAMA	EXPLANATION
1	200756001	Tandem Çamurluk Sağ Sacı	Tandem Mudguard Sheet (Right)
2	200756003	Tandem Çamurluk Birleşim Parçası Sacı	Tadem Mudguard Connection Part Sheet
3	100150012	DIN 933 M8X 25 (8.8) Galvaniz	DIN 933 M8X 25 (8.8) Galvanized
4	100150074	Pul Ø22xØ8.4x2.3 mm Galvaniz	Washer Ø22xØ8.4x2.3 mm Galvanized
5	100150089	DIN 985 M8 Fiberli Somun (8) Galvaniz	Fibered Nut DIN 985 M8 (8) Galvanized
6	200756002	Tandem Çamurluk Sol Sacı	Tandem Mudguard Sheet (Left)
7	200752005	Beta Çamurluk Kaynaklı Boru Sacı	Beta Mudguard Welded Pipe Sheet
8	200752004	Beta Sac Çamurluk Borusu	Beta Sheet Mudguard Pipe
9	100150124	DIN 931 M8X70 (8.8) Galvaniz	DIN 931 M8X70 (8.8) Galvanized



	TR	EN
CODE	AÇIKLAMA	EXPLANATION
300750001	Alüminyum Çamurluk	Aluminium Mudguard

	TR	EN	
#	CODE	AÇIKLAMA	EXPLANATION
1	200751004	Alüminyum Tandem Çamurluk (Sağ Kaynaklı)	Aluminium Tandem Mudguard (Right-Welded)
2	200751002	Tandem Alüminyum Birleşim Parçası	Tandem Aluminium Connection Part
3	100150012	DIN 933 M8X 25 (8.8) Galvaniz	DIN 933 M8X 25 (8.8) Galvanized
4	100150074	Pul Ø22xØ8.4x2.3mm Galvaniz	Galvanized Washer Ø22xØ8.4x2.3mm
5	100150089	DIN 985 M8 Fiberli Somun (8) Galvaniz	Fibered Nut DIN 985 M8 (8) Galvanized
6	200752004	Beta Sac Çamurluk Borusu	Beta Sheet Mudguard Pipe
7	100150124	DIN 931 M8X70 (8.8) Galvaniz	DIN 931 M8X70 (8.8) Galvanized
8	200751005	Alüminyum Tandem Çamurluk (Böl Kaynaklı)	Aluminium Tandem Mudguard (Ample-Welded)

# HİDROLİK EKİPMAN BAĞLANTI HYDRAULIC EQUIPMENT CONNECTIONS



## ÜRÜN AÇIKLAMASI EXPLANATION

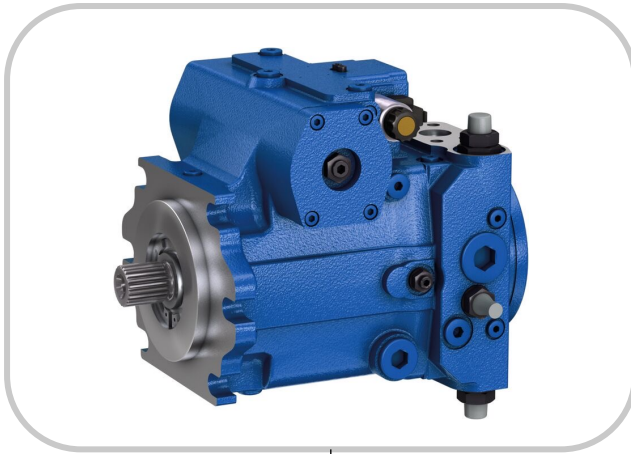


#	CODE	TR AÇIKLAMA	EN EXPLANATION
1	300150011	10m3 P Model Ön Konsol	10m3 P-Model Front Support
2	100180001	Redüktör ZF-P7300	Gearbox ZF P-7300
3	100120005	Bosch-Rexroth A2FM Hidrolik Motor	Bosch-Rexroth A2FM Hydraulic Motor
4	300890003	Beta B2 Pompa Konsolu	Beta B2 Pump Support
5	100110005	Bosch-Rexroth A4VTG Hidrolik Pompa	Bosch-Rexroth A4VTG Hydraulic Pump
6	100100001	ASA 24 V Yağ Soğutucu	ASA 24 V Oil Cooler
7	100270105	SEL 1" 4SH Hidrolik Hortum 35.4 mm 420 Bar 724mm-1" M36X2 Somunlu D-D	SEL 1" 4SH Hydraulic Hose 35.4 mm 420 Bar 724mm-1" M36X2 w/ Nut D-D
8	100270098	M36x2 47mm Flanş Adaptör (90 Derece)	M36x2 47mm Flange Adaptor (90 Degree)
9	100270049	47mm Flanş O-Ring	47mm Flange O-Ring
10	100150182	Galvaniz Civata DIN933 M12X40 (10.8)	Galvanized Bolt DIN933 M12X40 (10.8)
11	100150183	DIN127 M12 Rondela Galvaniz	DIN127 M12 Roundel Galvanized
12	100270103	FK 1 6000 Yarım Kep	FK 1 6000 Demilune Cap
13	100270097	M36X2 47 mm Flanş Adaptör (45 Derece)	M36X2 47 mm Flange Adaptor (45 Degree)
14	100010041	SEL 1 1-4 R4 Hidrolik Hortum 43.5mm 10 Bar 1700mm	SEL 1 1-4 R4 Hydraulic Hose 43.5mm 10 Bar 1700mm
15	100240008	40x43 Tork Özel Tip Kelepçe	40x43 Torc Special Type Clamp
16	100270102	HR. 1 1-4 M42X2 Somunlu Düz	HR. 1 1-4 M42X2 w/ Nut
17	100270104	M42X2-30S Döner Dirsek	M42X2-30S Rotating Elbow
18	100270110	M42X2 30S Nipel	M42X2 30S Nipple
19	100270111	M42 Bakır Pul	M42 Copper Washer
20	100270101	1 1/4" X 1 1/4" NPT Erkek Hortum Rakoru	1 1/4" X 1 1/4" NPT Male Hose Coupling
21	100270106	SEL 3/4" R1 Hidrolik Hortum 27.5 mm 45 Bar 996mm-3/4"-3/4" BSP D-90	SEL 3/4" R1 Hydraulic Hose 27.5 mm 45 Bar 996mm-3/4"-3/4" BSP D-90
22	100270100	HR. ¾ M26X1.5 Nipel	HR. ¾ M26X1.5 Nippel
23	100270112	M26 Bakır Pul	M26 Copper Washer
24	100270076	HR.3-4 BSP OBT	HR.3-4 BSP OBT
25	100270107	HR. ¾ Ters Dirsek	HR. ¾ Reverse Elbow
26	100270107	SEL 3/4" R1 Hidrolik Hortum 27.5mm 45 Bar 1296mm-3/4" BSP D-90	SEL 3/4" R1 Hydraulic Hose 27.5mm 45 Bar 1296mm-3/4" BSP D-90
27	100270099	M18X1.5 Blok ¾ Havşal Nipel	M18X1.5 Blok ¾ Sunk Nippel
28	100270113	M18 Bakır Pul	M18 Copper Washer

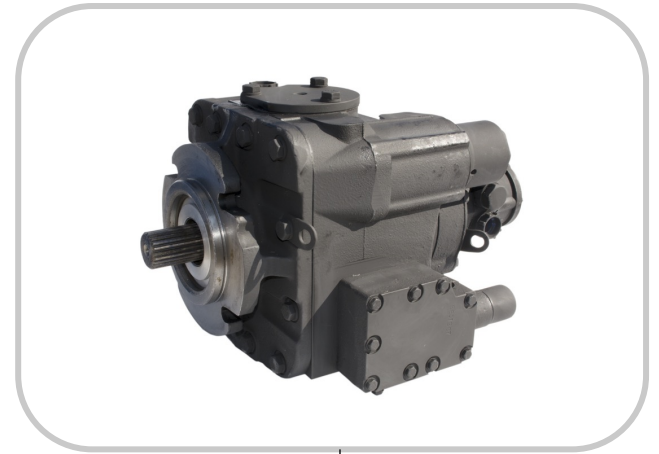




1



2

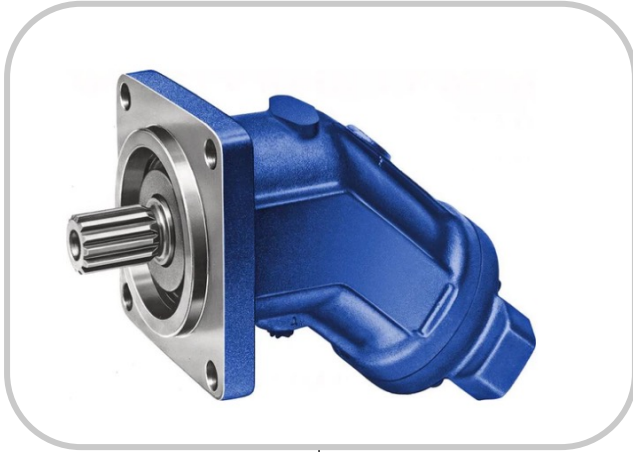


3

TR			EN
#	CODE	AÇIKLAMA	EXPLANATION
1.1	100110006	Eaton 6423 Pompa	Eaton 6423 Pump
1.2	100110007	Eaton 5423 Pompa	Eaton 5323 Pump
2	100110001	Rexroth A4VTG Serisi Pompa	Rexroth A4VTG Pump
3.1	100110002	Hydrosila PVH 112 Pompa	Hydrosila PVH 112 Pump
3.2	100110003	Hydrosila PVH 90 Pompa	Hydrosila PVH 90 Pump



1



2

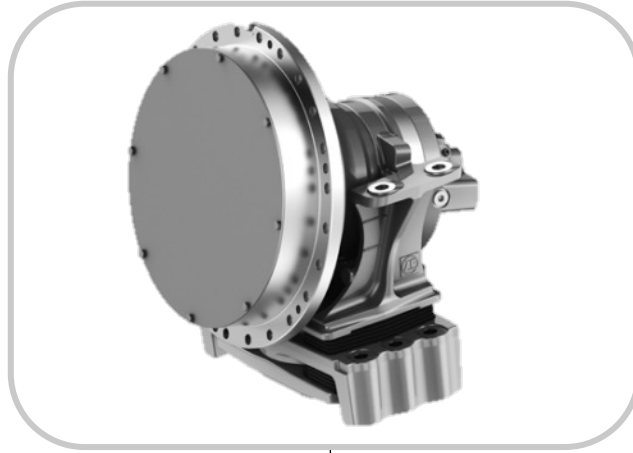


3

#	CODE	TR		EN	
			AÇIKLAMA		EXPLANATION
1.1	100120006	Eaton 5433 Motor		Eaton 5433 Motor	
1.2	100120007	Eaton 4633 Motor		Eaton 4633 Motor	
2	100120003	Rexroth A2FM Serisi Motor		Rexroth A2FM Series Motor	
3.1	100120002	Hydrosila MFH 90 Motor		Hydrosila MFH 90 Motor	
3.2	100120001	Hydrosila MFH 71 Motor		Hydrosila MFH 71 Motor	



1

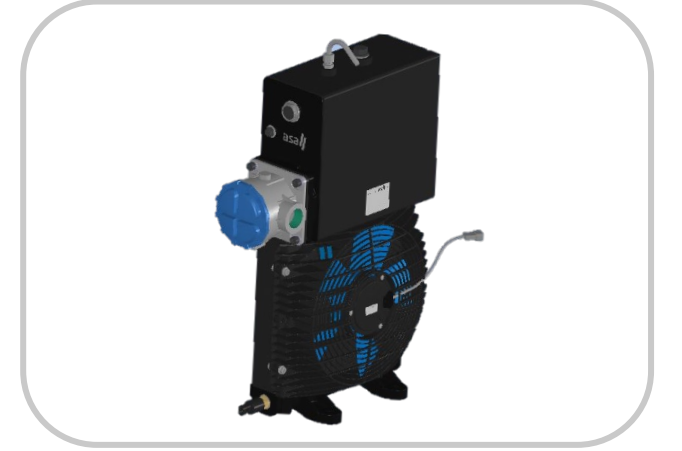
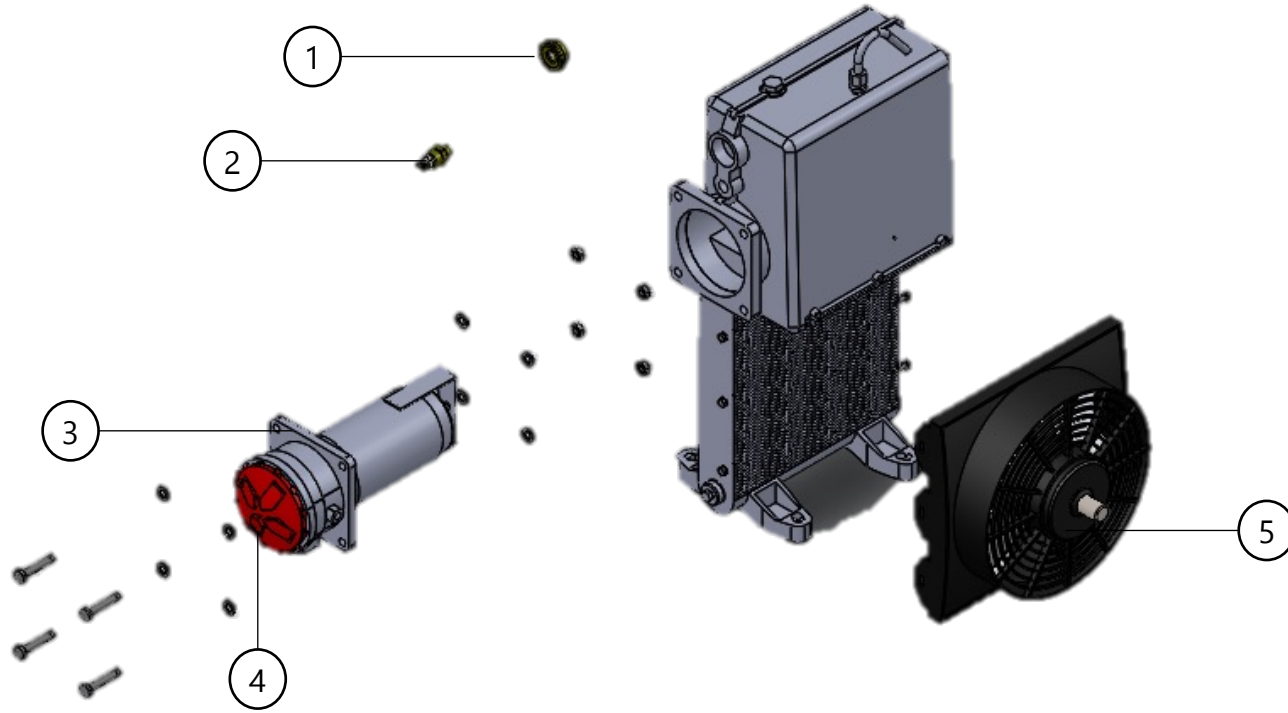


2



3

#	CODE	TR	EN
		AÇIKLAMA	EXPLANATION
1.1	100180003	ZF P5300 Redüktör	ZF P-5300 Gearbox
1.2	100180001	ZF P7300 Redüktör	ZF P-7300 Gearbox
2	100180002	ZF CML 12 Redüktör	ZF CML-12 Gearbox
3.1	100180006	Bonfiglioli Trasmital 580 Redüktör	Bonfiglioli Trasmital 580 Gearbox
3.2	100180004	Bonfiglioli Trasmital 577 Redüktör	Bonfiglioli Trasmital 577 Gearbox

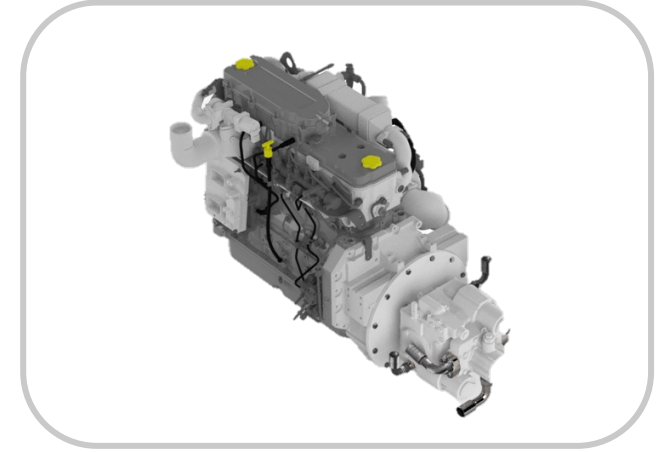
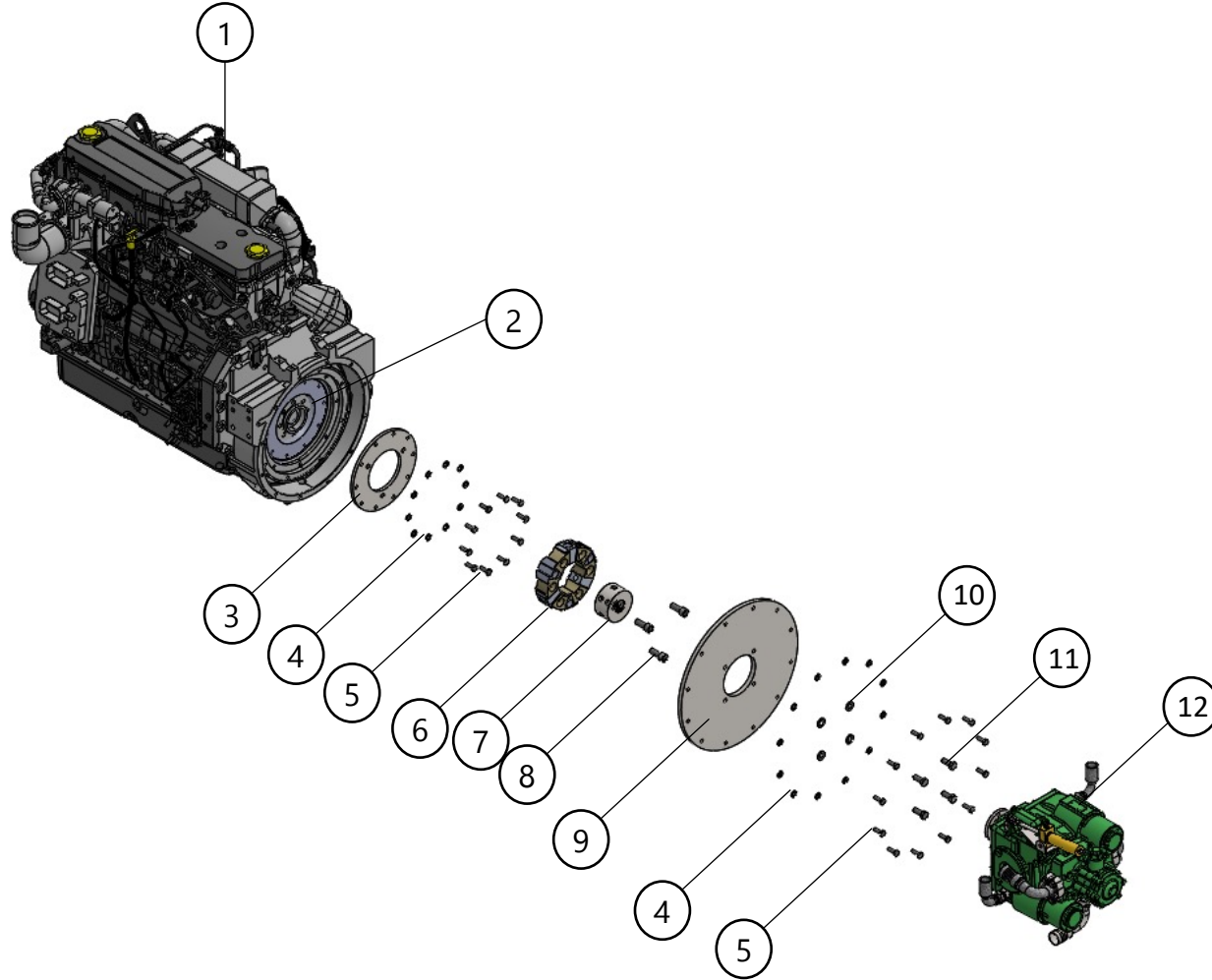


	TR	EN
CODE	AÇIKLAMA	EXPLANATION
100100003	ASA Yağ Soğutucu	ASA Oil Cooler

	TR	EN	
#	CODE	AÇIKLAMA	EXPLANATION
1	100090077	ASA Hidrolik Yağ Soğutucu Yağ Seviye Göstergesi G1"	ASA Hydraulic Oil Cooler Level Indicator G1"
2	100090076	ASA Hidrolik Yağ Soğutucu Müşir G 1/2" 70°C	ASA Hydraulic Oil Cooler Thermoswitch G 1/2" 70°C
3	100090078	ASA Hidrolik Yağ Soğutucu Yağ Filtre Kartuş Kiti	ASA Hydraulic Oil Cooler Oil Filter Cartridge Kit
4	100090079	ASA Hidrolik Yağ Soğutucu Yağ Filtre Kartuşu	ASA Hydraulic Oil Cooler Oil Filter Cartridge
5	100090075	ASA Hidrolik Yağ Soğutucu Fan Motoru Orijinal 24 V (Kabinli)	ASA Hydraulic Oil Cooler Fan Motor Original 24 V (Cabinet)



# İLAVE MOTOR/AUXILIARY MOTOR



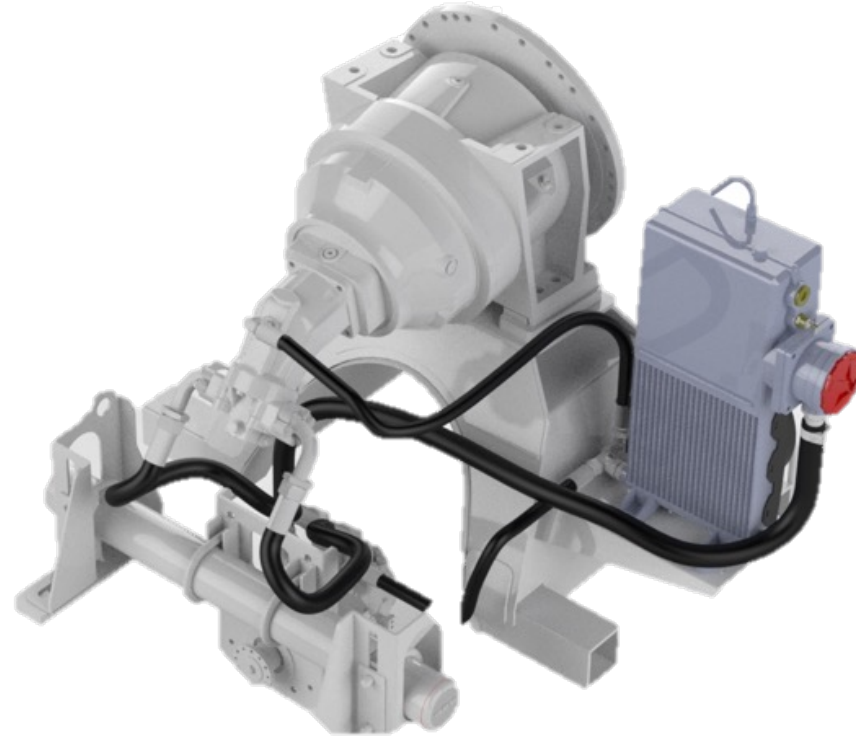
	TR	EN
CODE	AÇIKLAMA	EXPLANATION
300940004	İlave Motor	Auxiliary Motor

	TR	EN	
#	CODE	AÇIKLAMA	EXPLANATION
1	100120009	6 Silindir İlave Motor	6-Cylinder Auxiliary Motor
2	200944003	Harici Motor Volan Dişlisi	Auxiliary Motor Flywheel Gear
3	200944002	Harici Motor Volan Dişlisi Flaşı	Auxiliary Motor Flywheel Gear Flange
4	100150065	DIN 125 M10 Pul Galvaniz	Galvanized Washer DIN 125 M10
5	100150018	DIN 933 M10X30 (8.8) Galvaniz Cıvata	Galvanized Bolt DIN 933 M10X30 (8.8)
6	100290037	30H Motor Kaplini	30H Motor Couplig
7	100290042	23 Diş Metal İlave Motor Göbek Kaplini	23-Gear Metal Added Motor Coupling
8	100150181	DIN 912 M166X40 (8.8) Imbus Cıvata Galvaniz	Galvanized Imbus Bolt DIN 912 M166X40 (8.8)
9	200944001	Harici Motor Pompa Flaşı	Auxiliary Motor Pump Flange
10	100150067	DIN125 M14 Pul	Washer DIN125 M14
11	100150162	DIN933 M14X35 (8.8) Cıvata Galvaniz	Galvanized Bolt DIN933 M14X35 (8.8)
12	100110006	Hidrolik Pompa Çeşidi	Hydraulic Pump Type

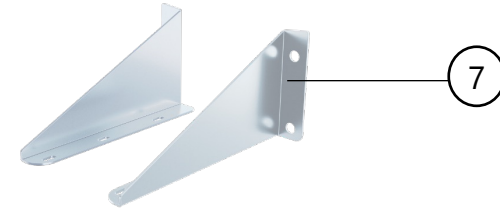
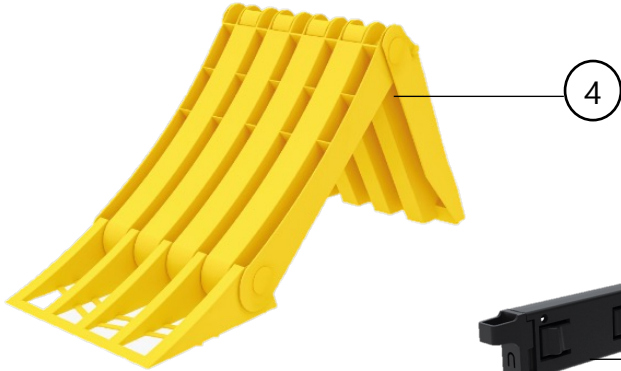


	TR	EN
<b>CODE</b>	<b>AÇIKLAMA</b>	<b>EXPLANATION</b>
	Şaft	Shaft

	TR	EN	
<b>#</b>	<b>CODE</b>	<b>AÇIKLAMA</b>	<b>EXPLANATION</b>
<b>1</b>	100080001	FORD 4142 Şaft (L:530/LMIN:500/LMAX:560)	FORD 4142 Shaft (L:530/LMIN:500/LMAX:560)
<b>2</b>	100080002	MERCEDES Şaft ( L:500/LMIN:460/LMAX:530)	MERCEDES Shaft (L:500/LMIN:460/LMAX:530)
<b>3</b>	100080003	Şaft (L:840/LMIN:810/LMAX:870 )	Shaft (L:840/LMIN:810/LMAX:870)
<b>4</b>	100080004	FORD Şaft (L:580/LMIN:560/LMAX:620)	FORD Shaft (L:580/LMIN:560/LMAX:620)



#	CODE	TR AÇIKLAMA	EN EXPLANATION
1	400200072	Hortum Seti Hydrosila	Hose Set Hydrosila
2	400200097	Hortum Seti Motorlu 580 & P-7300 & P-5300 & Bosch-Rexroth	Hose Set w/ Motor 580 & P-7300 & P-5300 & Bosch-Rexroth
3	400200098	Hortum Seti Motorlu 580 & P-7300 & P-5300 & Eaton	Hose Set w/ Motor 580 & P-7300 & P-5300 & Eaton
4	400200099	Hortum Seti Motorsuz CML-12 & Bosch-Rexroth	Hortum Seti Motorsuz CML-12 & Bosch-Rexroth
5	400200100	Hortum Seti Motorsuz CML-12 & Eaton	Hortum Seti Motorsuz CML-12 & Eaton
6	400200101	Hortum Seti CML-12 - Hydrosila (D+90)	Hortum Seti CML-12 - Hydrosila (D+90)
7	400200093	Hortum Seti Treyler P-7300 & Eaton	Hortum Seti Treyler P-7300 & Eaton
8	400200094	Hortum Seti Treyler P-7300 & Bosch-Rexroth	Hortum Seti Treyler P-7300 & Bosch-Rexroth
9	400200095	Hortum Seti Treyler CML-12 & Bosch-Rexroth	Hortum Seti Treyler CML-12 & Bosch-Rexroth




#	CODE	TR AÇIKLAMA	EN EXPLANATION
1	100230015	DAKEN 31 LT Malzeme Dolabı, (500x350x300)	DAKEN JUST 500-R, Toolbox in PP, (500x350x300)
2	100230016	DAKEN 127 LT. Malzeme Dolabı, (826x500x470)	DAKEN JUST 800, Toolbox in PP, (826x500x470)
3	100230012	DAKEN Yangın Söndürme Dolabı, Ø 150-170, (310x610x247)	DAKEN ADAMANT 6 kg, Cabinet (B/B) in PP for Extinguisher Ø 150-170, (310x610x247)
4	100230017	LOKHEN Katlanabilir Takoz, 472X199X230	LOKHEN Foldable Yellow PP Chock (DIN 76051/53) Origamy *472X199X230
5	100230018	LOKHEN Takoz Plastik Sabitleme Desteği, 177X68X44	LOKHEN Plastic Fixing Support Double for Origamy 53 *177X68X44
6	100230019	LOKHEN Su Tankı 30 LT.	Water Tank in Black Plastic "SQUARE" With Soap Holder *LT. 30
7	100230020	LOKHEN Su Tankı Aparatı	Zinc Plated Brackets Pair for Water Tank



 [www.betamixturkiye.com](http://www.betamixturkiye.com)

 [info@betaismakinalari.com.tr](mailto:info@betaismakinalari.com.tr)

 +90 (312) 815 520 809

 BETA İŞ MAKİNALARI SAN. VE TİC. LTD. ŞTİ.

Bayraktar Cd. 1014. Sk. No: 3, Kahramankazan/ANKARA